

Bathroom Fitting



practical design for everyone

130SC.....	BB4
131SC.....	BB4
132SC.....	BB4
133SC-N.....	BB4
3023.....	BB10
3043.....	BB5
3047.....	BB5
3048 / 3048C / 3048NC / 3048SC.....	BB5
3049 / 3049C / 3049NC / 3049SC / 3049VC.....	BB6
3055 / 3055S	BB21
3085.....	BB10
3090.....	BB16
3091 / 3091C.....	BB20
3092.....	BB18
3093.....	BB16
3094.....	BB18
3095.....	BB16
3107 / 3107L.....	BB17
3116.....	BB7
3117 / 3117S.....	BB7
3120.....	BB23
3121 / 3121-S.....	BB23
3125.....	BB23
3128.....	BB22
3131.....	BB23
3132.....	BB19
3145.....	BB22
3148.....	BB21
F4-01 / F4-02.....	BB12
F5-01 / F5-02 / F5-01P.....	BB13
F6	BB14
F7	BB15
Finishes	BB26-27
MSD11/ 21.....	BB18
MSD12R/ 22R/ 32R.....	BB18
SSD11/ 21/ 31	BB18
SGB1-32-152 / SGB1-32-153.....	BB9
SGB2-25 / SGB2-32 / SGB2-38	BB10
SGB2 (25/32/38) - 101, 103, 104LH, 111, 112LH, 114, 115, 116LH, 117LH, 119RH, 122RH, 124, 131, 132RH, 133RH...	BB24
SGB2 (25/32/38) - 134, 135RH, 136RH, 137, 138RH, 140LH, 141RH, 142, 152, 153, 154, 155RH	BB25

	<p>Toilet Paper Holders BB4-8</p>										
	<p>Towel Bars / Grab Bars BB9-11</p>										
	<p>Shower Curtain Rod & Flange BB12-15</p>										
	<p>Clothes Lines BB16-17</p>										
	<p>Soap Dispensers BB17-19</p>										
	<p>Shower Seats BB20</p>										
	<p>Paper Towel Dispensers BB21-22</p>										
	<p>Paper Towel Dispensers and Waste Disposal BB22</p>										
	<p>Waste Dispensers BB23</p>										
	<p>Stainless Steel Grab Bars Configurations BB24-25</p>										
<table border="1" style="width: 100%; text-align: center;"> <thead> <tr> <th>Mounting</th> <th>Size</th> <th>Model</th> <th>Hand</th> <th>Finish</th> </tr> </thead> <tbody> <tr> <td>SGB2</td> <td>- 32 -</td> <td>138</td> <td>RH</td> <td>- F24</td> </tr> </tbody> </table>	Mounting	Size	Model	Hand	Finish	SGB2	- 32 -	138	RH	- F24	<p>How To Order BB25</p>
Mounting	Size	Model	Hand	Finish							
SGB2	- 32 -	138	RH	- F24							
	<p>Finishes BB26-27</p>										

TOILET PAPER HOLDERS

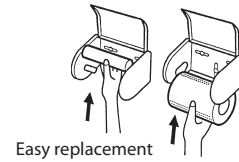
133SC-N

Toilet paper holder with hood

Finishes: F25, F91, F93, C02, C04, C05

Surface mounting. Made of SUS304 stainless steel with polished stainless steel finish. Furnished with hood.

(Easy replacement of paper roll)



F91



C02



C05

132SC

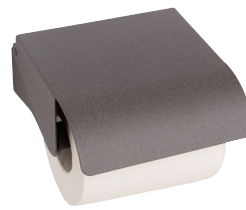
Toilet paper holder with hood

Finishes: F25, F91, F93, F96T, F97, F99, F100, F101

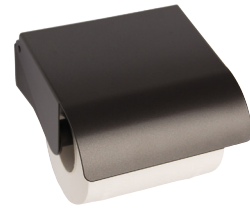
Surface mounting. Made of SUS304 stainless steel with polished stainless steel finish. Furnished with hood and brass roller.



F25



F96T



F97

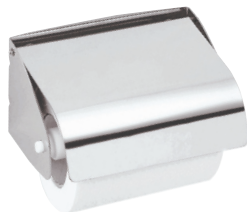
130SC

Toilet paper holder with hood

Finish: F25

Surface mounting. Made of SUS304 stainless steel with polished stainless steel finish.

Furnished with hood and white plastic roller.



131SC

Toilet paper holder with hood

Finish: F25

Surface mounting. Made of SUS304 stainless steel with polished stainless steel finish. Furnished with hood and white plastic roller.



3043

Surface mounting two roll toilet tissue dispenser

Finish: F24

Whole unit is made of SUS304 stainless steel with satin stainless steel finish. Tumbler lock on door. Holds and dispenses two rolls of standard toilet tissue. Upper roll automatically lowers into position only when 95% of the bottom roll has been used.



3047

Jumbo roll toilet paper dispenser

Finish: F24

Whole unit is made of SUS304 stainless steel with satin stainless steel finish. Fitted with tumbler lock.



3048

Recessed toilet paper holder

Finish: F25

Recessed mounting. Made of SUS304 stainless steel with polished stainless steel finish and chrome plated plastic roller. Wall Opening: 130mm high, 130mm wide, 51mm deep.



3048C

Recessed toilet paper holder with hood

Finish: F25

Recessed mounting. Made of SUS304 stainless steel with polished stainless steel finish and chrome plated plastic roller. Wall Opening: 130mm high, 130mm wide, 51mm deep.



3048NC

Recessed toilet paper holder with hood

Finish: F25

Unit body and hood made of SUS 304 stainless steel with polished stainless steel finish and chrome plated plastic roller.

Wall Opening: 150mm high, 150mm wide, 75mm deep.



3048SC

Surface mounted toilet paper holder with hood

Finish: F25

Unit body and hood made of SUS 304 stainless steel with polished stainless steel finish. Furnished with chrome plated plastic roller.



TOILET PAPER HOLDERS

3049C

Recessed twin toilet paper holder with hood

Finish: F25
Recessed mounting. Horizontal type.
Made of SUS304 stainless steel with
polished stainless steel finish.
Furnished with two chrome plated
plastic rollers. Wall Opening:
130mm high,
300mm wide,
51mm deep.



3049

Recessed twin toilet paper holder

Finish: F25
Recessed mounting. Horizontal type. Made of SUS304 stainless steel with
polished stainless steel finish. Furnished with two chrome plated plastic rollers.
Wall Opening: 130mm high, 300mm wide, 51mm deep.



3049NC

Recessed twin toilet paper holder with hood

Finish: F25
Double type horizontal toilet tissue holder which is completely set into wall.
Constructed of SUS304 stainless steel with polished stainless steel finish. With two
chrome plated plastic rollers. Wall Opening: 145mm high, 295mm wide,
75mm deep.



3049SC

Horizontal surface mounted twin toilet paper holder with hood

Finish: F25
Unit body and hood are made of SUS304 stainless steel with polished stainless
steel finish. Furnished with two chrome plated plastic rollers.



3049VC

Recessed twin toilet paper holder with hood

Finish: F25
Double type vertical toilet tissue holder which is completely set into wall.
Constructed of SUS304 stainless steel with polished stainless steel finish.
With two chrome plated plastic rollers.
Wall Opening:
295mm high,
145mm wide,
75mm deep.



3116

Recessed toilet paper holder

Finishes: F25, F91~F102, F91T~F108T

Horizontal type. Made of SUS304 stainless steel face plate with polished stainless steel finish.



F25



F91



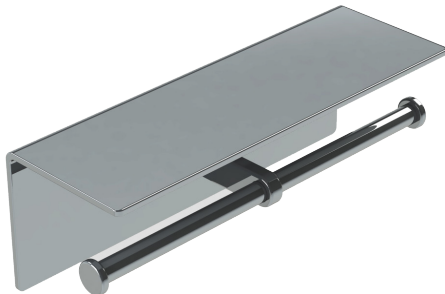
F100

3117

Twin toilet paper holder

Finishes: F25, F91~F102, F91T~F108T, C02, C04, C05

Horizontal type. Made of SUS304 stainless steel and metal with polished stainless steel finish.



F25



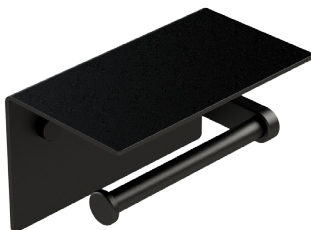
F91

3117S-LH

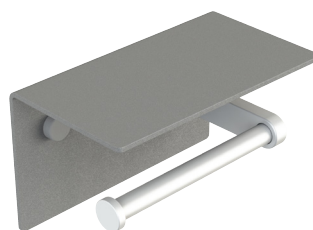
Single toilet paper holder

Finishes: F25, F91~F102, F91T~F108T, C02, C04, C05

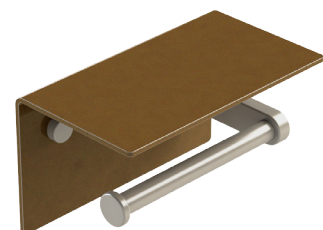
Horizontal type. Made of SUS304 stainless steel and metal with polished stainless steel finish.



F91



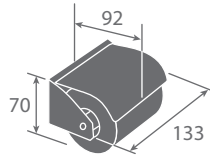
C02



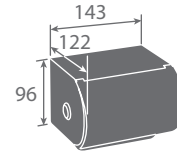
C05

TOILET PAPER HOLDERS

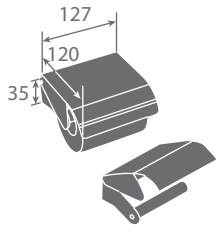
Dimensions in millimeters



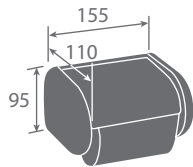
130SC



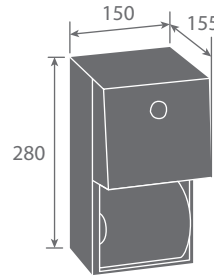
131SC



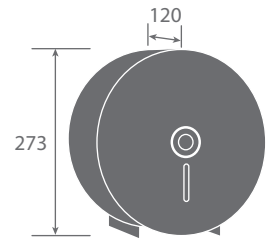
132SC



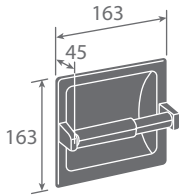
133SC-N



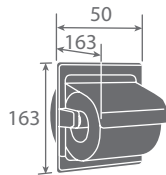
3043



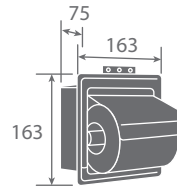
3047



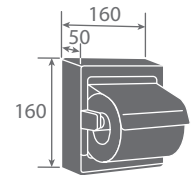
3048



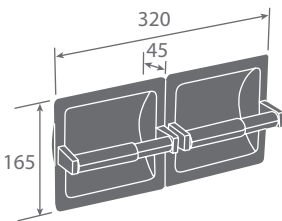
3048C



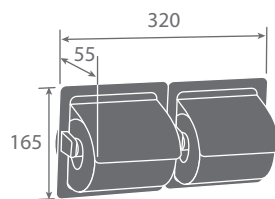
3048NC



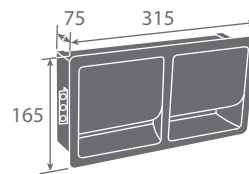
3048SC



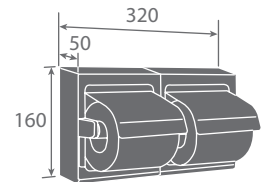
3049



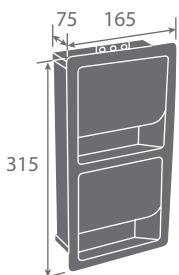
3049C



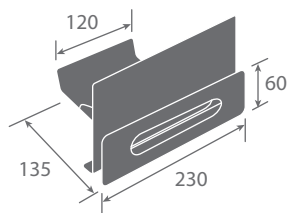
3049NC



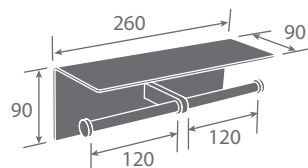
3049SC



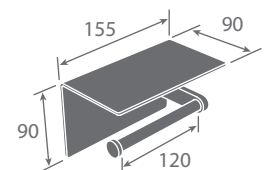
3049VC



3116



3117



3117S-LH

TOWEL BARS / GRAB BARS

SGB1-32-152

Swing up grab bar

Finish: F24, F25

Special design for handicapped toilet. Exposed screw mounting. Whole unit is made of heavy gauge SUS304 stainless steel with satin stainless steel finish. Furnished with 32mm diameter x 753mm length swings up grab bar. A safety button designed to secure the grab bar in vertical position.

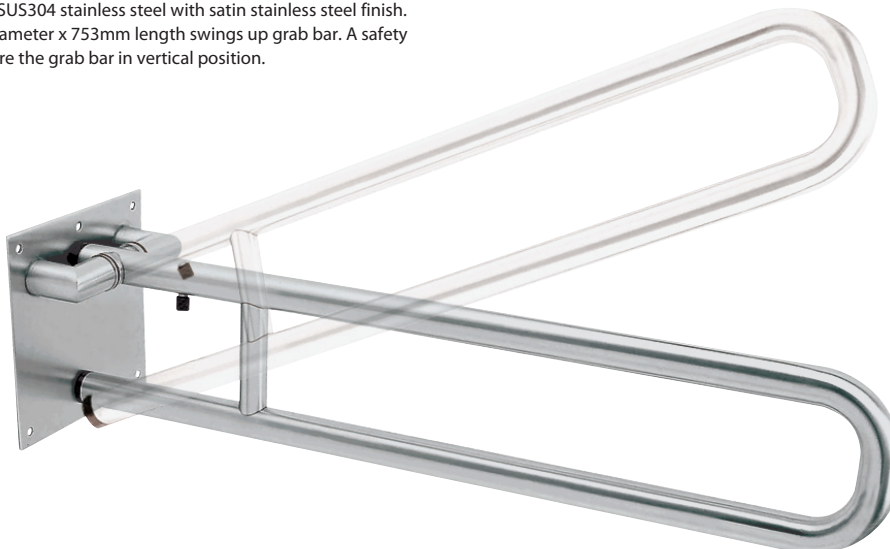


SGB1-32-153

Swing up grab bar

Finish: F24

Special design for handicapped toilet. Exposed screw mounting. Whole unit is made of heavy gauge SUS304 stainless steel with satin stainless steel finish. Furnished with 32mm diameter x 753mm length swings up grab bar. A safety button designed to secure the grab bar in vertical position.



TOWEL BARS / GRAB BARS

SGB2 (with cover)



Snap on Flange Mounting

*All grab bars are made of 1.2mm thickness SUS304 stainless steel tubing.

SGB2-25

Heavy duty grab bar

Finishes: F24, F25, F91~F102, F91T~F108T

Concealed screw mounting. Grab bar fabricated with 1.2mm thickness of SUS304 stainless steel. Exposed surface with either polished stainless or satin stainless steel finish. Tubing to be bent and heliarc welding to the flanges with stainless steel cover, easy to snap-on.



SGB2-32

Heavy duty grab bar

Finishes: F24, F25, F91~F102, F91T~F108T

Same as model SGB-25 except with 32mm diameter, 1.2mm thickness stainless steel tubing. Stainless steel flange cover.

Standard Clearance: 58mm between the finished wall surface and the inner edge of the tubing.



F91



F24



F97

SGB2-38

Heavy duty grab bar

Finishes: F24, F25, F91~F102, F91T~F108T

Same as model SGB-32 except with 38mm diameter, 1.2mm thickness stainless steel tubing.



F101

3023

Round Towel Bar

Finishes: F24, F25

Concealed screw mounting. Made of 19mm SUS304 stainless steel tubing with polished stainless steel finish or satin stainless steel finish and one pair of die-cast zinc hexagonal flanges.



3085

Round towel bar

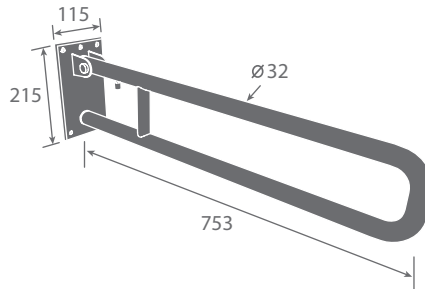
Finishes: F24, F25

Concealed screw mounting. Made of 25mm SUS304 stainless steel tubing with polished stainless steel finish or satin stainless steel finish and one pair of zinc die-cast hexagonal flanges.

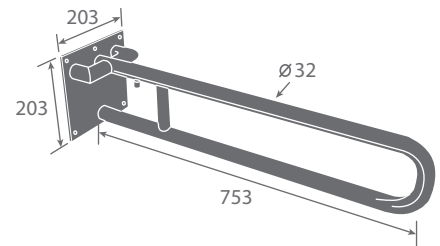


TOWEL BARS/ GRAB BARS

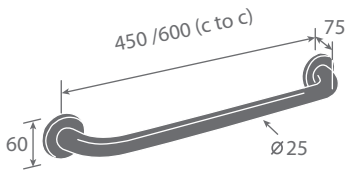
Dimensions
in millimeters



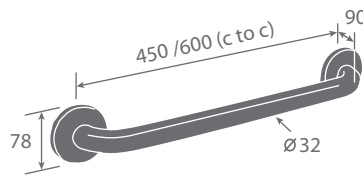
SGB1-32-152



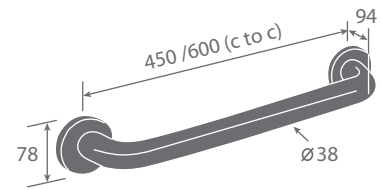
SGB1-32-153



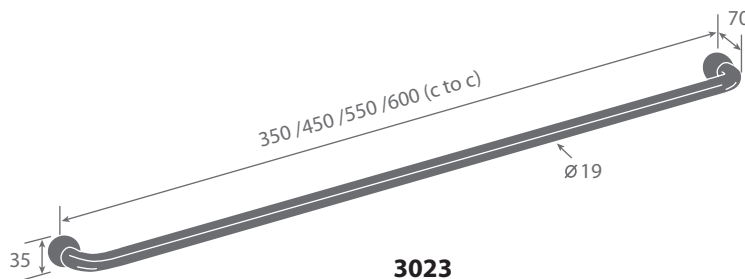
SGB2-25



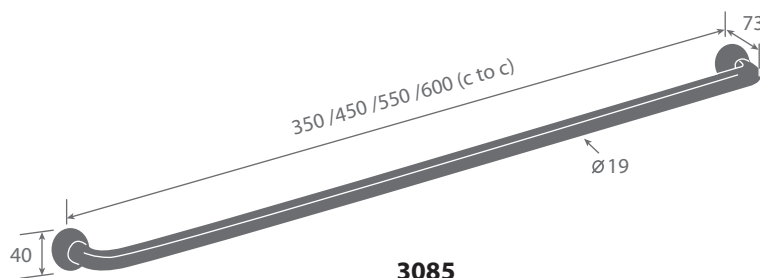
SGB2-32



SGB2-38



3023



3085

F4 Series

SHOWER CURTAIN ROD & FLANGE

Finishes:

F21, F91~F102, F91T~F108T,
F302, F305, F307

Shower Curtain Rod

(Stainless steel round tube)

Ø 19-ROD
Ø 25-ROD

Finishes: (Max. Length)

PSS (Tube ONLY) : 3000mm;

Powder Coating : 2000mm;

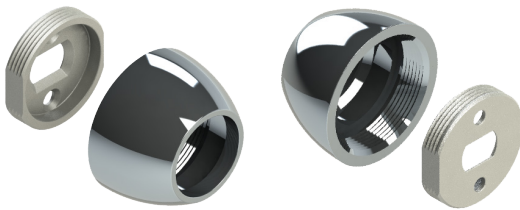
F302, F305, F307 : 1500mm



F4-01

Flange for Ø19mm rod

Zinc die-cast holders (two pieces per set)



F4-02

Flange for Ø25mm rod

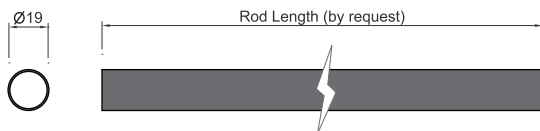
Zinc die-cast holders (two pieces per set)



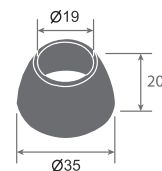
How to Fix



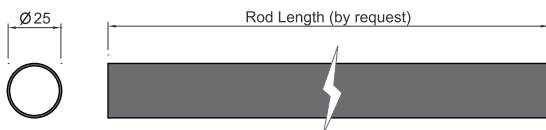
Example for Set



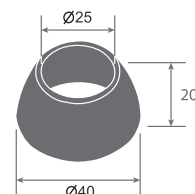
Ø 19-ROD



F4-01



Ø 25-ROD



F4-02

Dimensions in mm

F5 Series

SHOWER CURTAIN ROD & FLANGE

Finishes:

F21, F91~F102, F91T~F108T,
F302, F305, F307

Shower Curtain Rod

(Stainless steel round tube)

Ø 19-ROD
Ø 25-ROD

Finishes: (Max. Length)

PSS (Tube ONLY) : 3000mm;

Powder Coating : 2000mm;

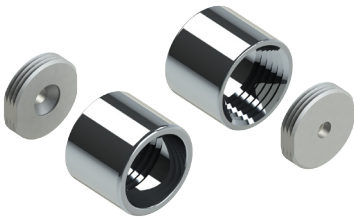
F302, F305, F307 : 1500mm



F5-01

Flange for Ø19mm rod

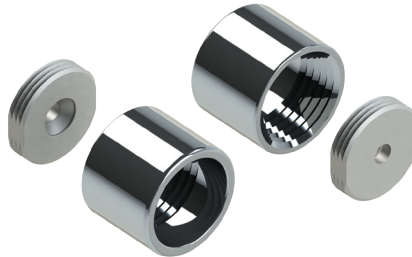
Zinc die-cast holders (two pieces per set)



F5-02

Flange for Ø25mm rod

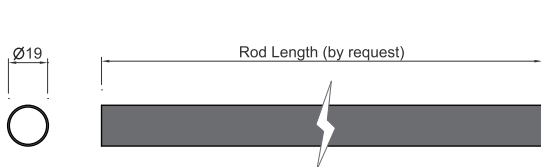
Zinc die-cast holders (two pieces per set)



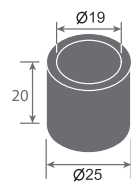
F5-01P

Hanger for supporting S/S 19mm rod

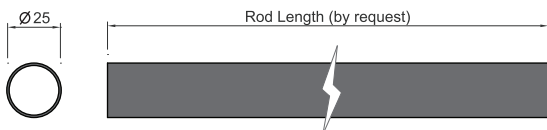
Zinc die-cast holder, fixing screw mounting for 19mm diameter tube.



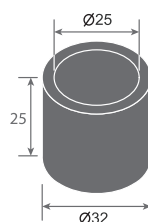
Ø 19-ROD



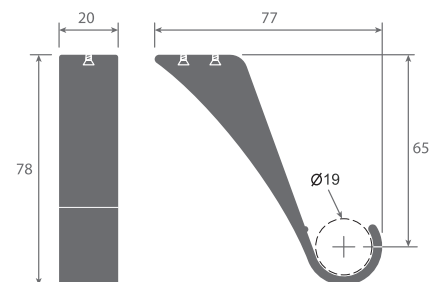
F5-01



Ø 25-ROD



F5-02



F5-01P

Dimensions in mm

F6 Series NEW

SHOWER CURTAIN ROD & FLANGE

Finishes:

F21, F91~F102, F91T~F108T,
F302, F305, F307

F6-ROD

Shower curtain rod

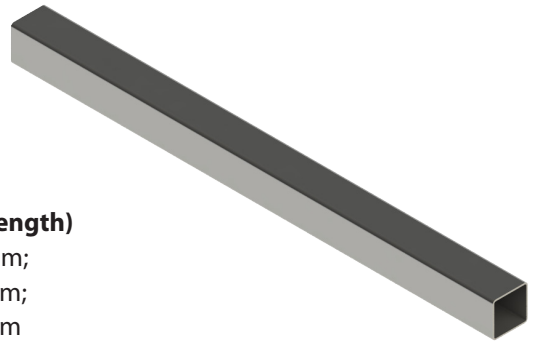
22x22mm Stainless steel square tube.

Finishes: (Max. Length)

PSS (Tube ONLY) : 3000mm;

Powder Coating : 2000mm;

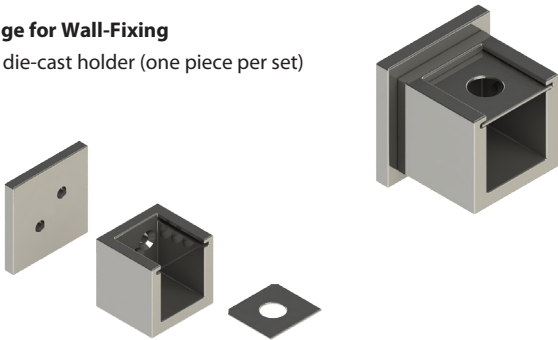
F302, F305, F307 : 1500mm



F6

Flange for Wall-Fixing

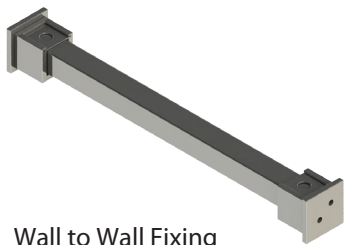
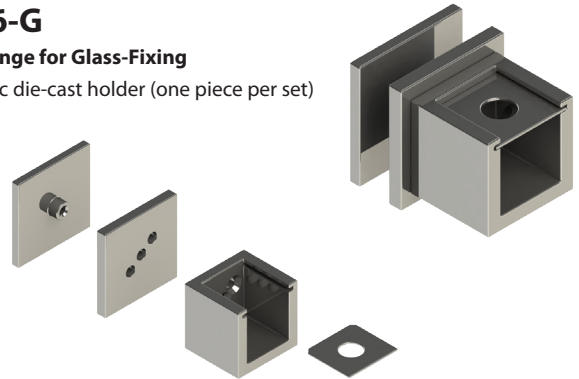
Zinc die-cast holder (one piece per set)



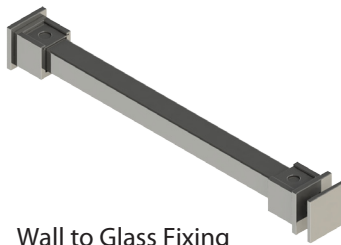
F6-G

Flange for Glass-Fixing

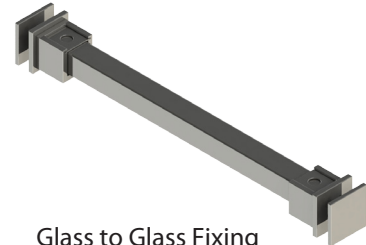
Zinc die-cast holder (one piece per set)



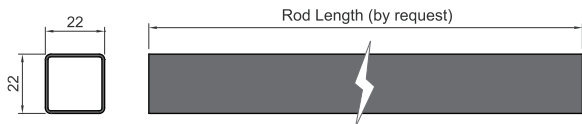
Wall to Wall Fixing



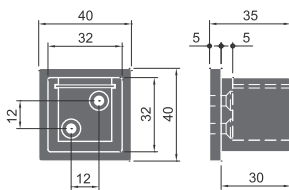
Wall to Glass Fixing



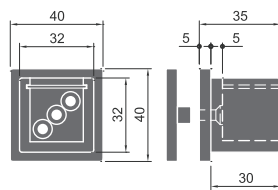
Glass to Glass Fixing



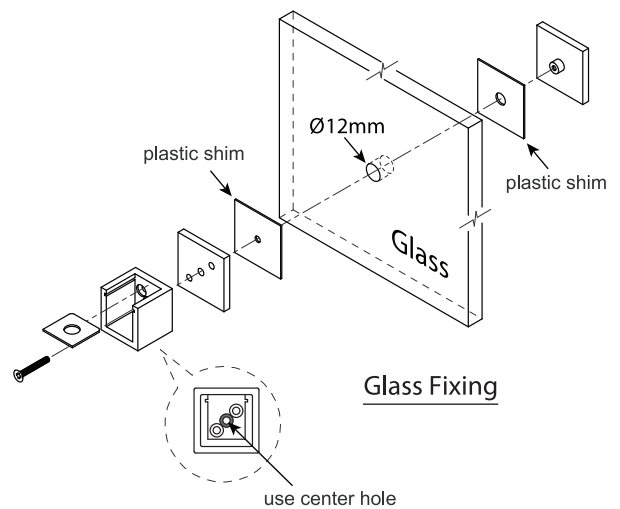
F6-ROD



F6



F6-G



Glass Fixing

Dimensions in mm

F7 Series NEW

SHOWER CURTAIN ROD & FLANGE

Finishes:

F21, F91~F102, F91T~F108T,
F302, F305, F307

F7-ROD

Shower curtain rod

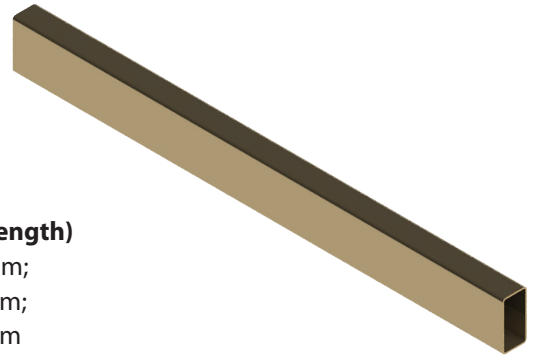
30x15mm Stainless steel
square tube.

Finishes: (Max. Length)

PSS (Tube ONLY) : 3000mm;

Powder Coating : 2000mm;

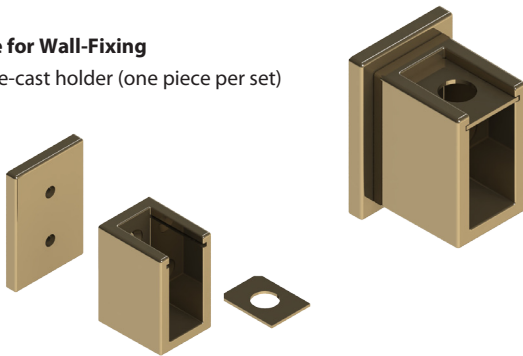
F302, F305, F307 : 1500mm



F7

Flange for Wall-Fixing

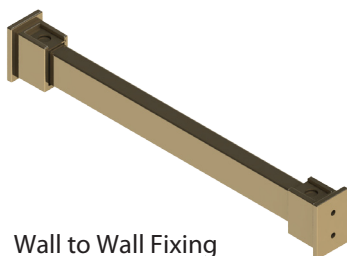
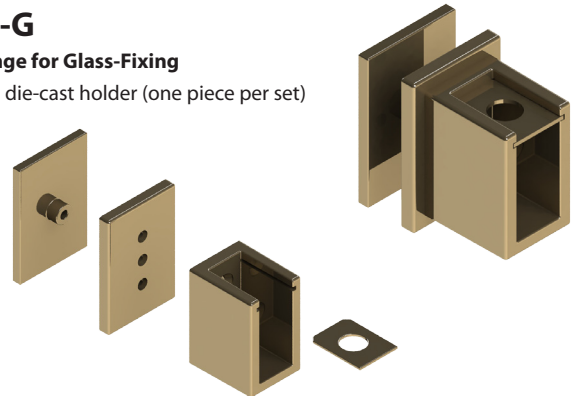
Zinc die-cast holder (one piece per set)



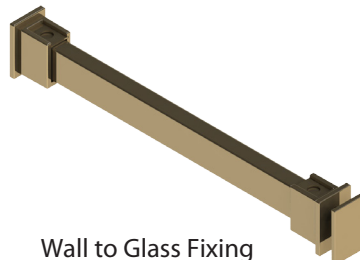
F7-G

Flange for Glass-Fixing

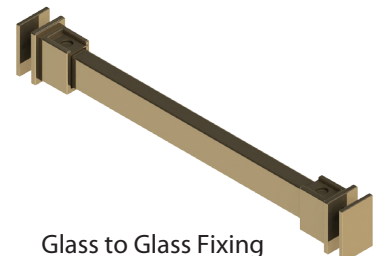
Zinc die-cast holder (one piece per set)



Wall to Wall Fixing



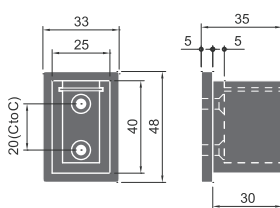
Wall to Glass Fixing



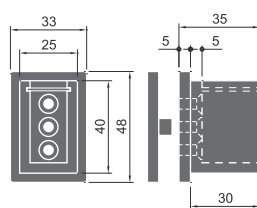
Glass to Glass Fixing



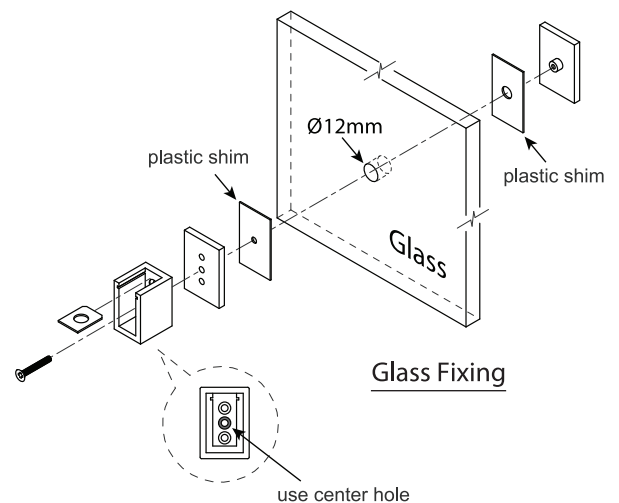
F7-ROD



F7



F7-G



Glass Fixing

Dimensions in mm

CLOTHES LINES

3090

Retractable clothes line

Finish: F25
 Made of SUS304 stainless steel with polished stainless steel finish. Provides center locking knob to keep strain of cord when in used. Furnished with retainer plate mount and 2.8 meters nylon clothes line.



3093

Retractable clothes line

Material: Zinc alloy
 Finishes: F21, F91~F102, F91T~F108T
 Made of Zinc alloy with polished bright chrome finish. Provides center locking knob to keep strain of cord when in used. Furnished with retainer plate mount and 2.8 meters nylon clothes line.



F21



F91



F93



F96T

3095

Retractable clothes line

Material: Zinc alloy
 Finishes: F21, F91~F102, F91T~F108T
 Made of Zinc alloy with polished bright chrome finish. Provides center locking knob to keep strain of cord when in used. Furnished with retainer plate mount and 2.8 meters nylon clothes line.



F21



F99



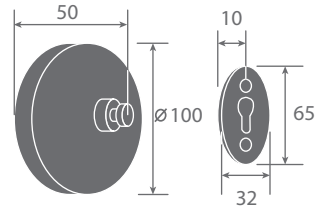
F100



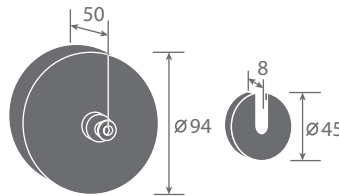
F101

CLOTHES LINES

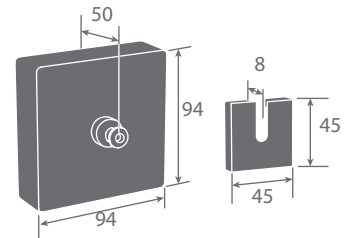
Dimensions in millimeters



3090



3093



3095

SOAP DISPENSERS

Basin mounted liquid soap dispenser

The basin mounted push down dispenser, also dispenses higher viscosity liquid, as well as liquid hand soap. Metal parts of piston, spout and valve are fabricated of polished chrome finish stainless steel. Cover is chrome plated ABS, easily screws open for filling unit top of vanity, shank is made of high impact-resistant ABS, adjustable shank. Maximum mounting thickness 100mm, countertop 25mm diameter, spout length 102mm. Manufacturer can supply 16 oz. (0.48 liters) or 32 oz. (0.95 liters) polyethylene globe.

3107

Basin mounted liquid soap dispenser

Finish: F21
Standard liquid type. Basin mounted Spout 102mm long. Shank 120mm long, 32 oz. (0.95 liters) polyethylene globe.
Optional: Suffix "PS" for 16 oz. (0.48 liters) polyethylene globe.

3107L

Basin mounted liquid soap dispenser

Finish: F21
Standard liquid type. Basin mounted Spout 153mm long. Shank 120mm long, 32 oz. (0.95 liters) polyethylene globe polished chrome finish.
Optional: Suffix "PS" for 16 oz. (0.48 liters) polyethylene globe.






MSD12R/ 22R/ 32R

Automatic Multi-Function Dispenser

Cover material : SUS304 stainless steel & ABS
 Power by AA type battery x4
 Capacity: 26.7oz (0.8 liters)





-  Liquid Soap : MSD12R
-  Foam Soap : MSD22R
-  Disinfectant Spray : MSD32R

MSD11/ 21

Automatic Multi-Function Dispenser

Cover material : SUS304 stainless steel & ABS
 Power by AA type battery x4
 Capacity: 26.7oz (0.8 liters)






-  Liquid Soap : MSD11
-  Foam Soap : MSD21

SSD11/ 21/ 31

Automatic Multi-Function Dispenser

Cover material : ABS
 Power by AA type battery x4
 Capacity: 16.7oz (0.5 liters)



-  Liquid Soap : SSD11
-  Foam Soap : SSD21
-  Disinfectant Spray : SSD31

3092

Vertical-type liquid soap dispenser

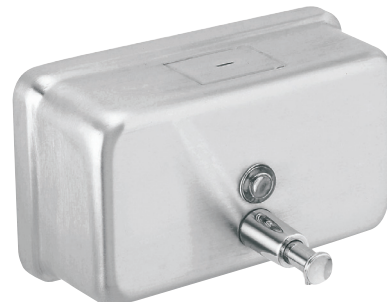
Finish: F24
 Vertical type surface mounted with concealed mounting bracket. Container body is made of heavy gauge SUS304 stainless steel. Exposed surface with satin stainless steel finish. Front & rear is heliarc welded together. No epoxies nor adhesives. Furnished with large locked hinged stainless steel filter top. Unbreakable refill indicator, valve has chrome plated brass cylinder and piston with stainless steel springs.
 Capacity: 40 fl.oz.(1.18 liters)



3094

Horizontal-type liquid soap dispenser

Finish: F24
 Horizontal type surface mounted with concealed mounting bracket. Container body is made of heavy gauge SUS304 stainless steel. Exposed surface with satin stainless steel finish. Front & rear is heliarc welded together. No epoxies nor adhesives. Furnished with large locked hinged stainless steel filter top. Unbreakable refill indicator, valve has chrome plated brass cylinder and piston with stainless steel springs. Available in "straight liquid " or "lather forming" soap valve.
 Capacity: 40 fl.oz.(1.18 liters)



SOAP DISPENSERS

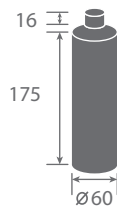
SOAP DISPENSERS

Dimensions in millimeters

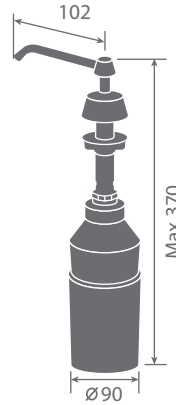
3132

Recessed horizontal soap dispenser

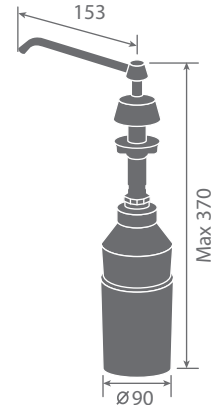
Finish: F24
 Designed for mounting between a lavatory mirror and wash basin.
 Unit pulls out easily for cleaning and refilling.
 Capacity: 52 fl. oz.(1.53 liters)
 Wall Opening:
 114mm high, 215mm wide, 110mm deep.



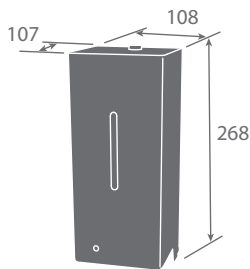
"PS" for 16 oz. (0.48 liters)



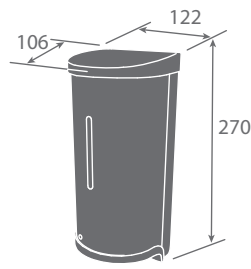
3107



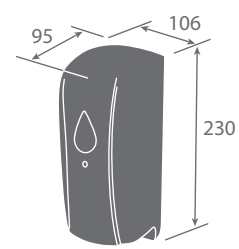
3107L



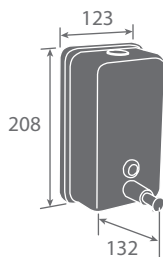
MSD12R/ 22R/ 32R



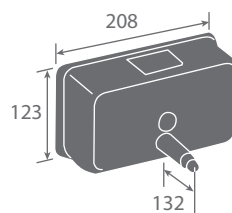
MSD11/ 21



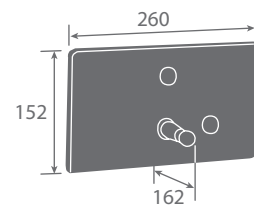
SSD11/ 21/ 31



3092



3094



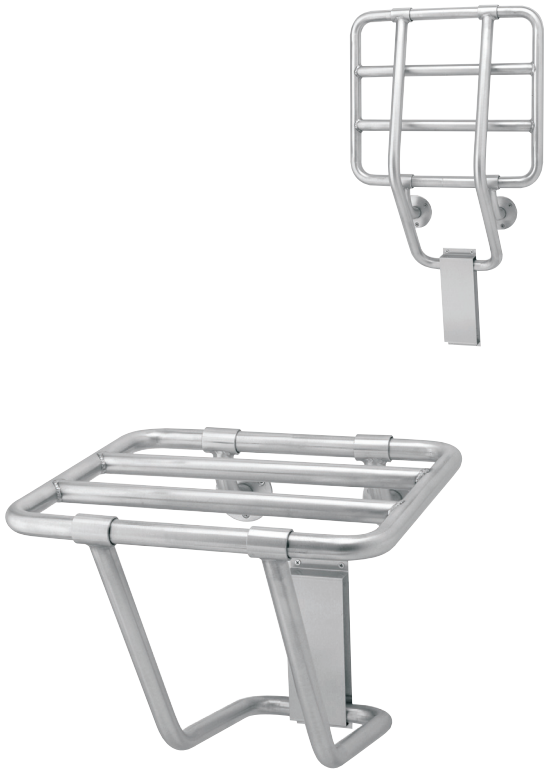
3132

SHOWER SEATS

Constructed of 25mm diameter, SUS304 stainless steel with satin stainless steel finish.
Furnished with self-locking mechanism.
Flange: 80mm diameter, exposed screw type.
Finish: F24

3091

Folding shower seat



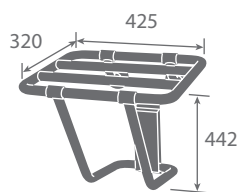
3091C

Folding shower seat
(with phenolic core cover)

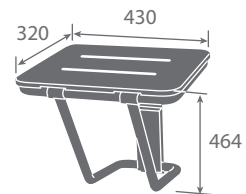


SHOWER SEATS

Dimensions
in millimeters



3091



3091C

PAPER TOWEL DISPENSERS

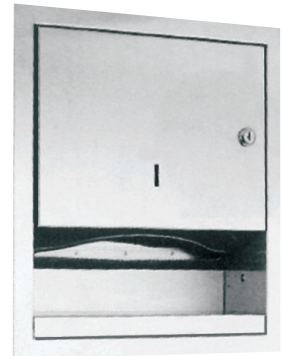
3148

Paper towel dispenser

Finish: F24

Recessed mounting. Dispenses 350C-fold or 475 multi-fold paper towels. Type of SUS304 stainless steel.

Wall Opening: 305mm wide, 356mm high, 102mm deep.



3055S

Paper towel dispenser

Finishes: F24, F91~F102, F91T~F108T

Surface mounting. Made of SUS304 stainless steel with satin stainless steel finish. Unit has tumbler lock. Refill indicator slots with continuous stainless steel piano hinge.

Capacity : 275 C-fold, 600 multi-fold or 400 single ply C-fold paper towels.



F24



F91



F94T

3055

Paper towel dispenser

Finishes: F24, F91~F102, F91T~F108T

Surface mounting. Made of SUS304 stainless steel with satin stainless steel finish. Unit has tumbler lock. Refill indicator slots with continuous stainless steel piano hinge.

Capacity : 275 C-fold, 600 multi-fold or 400 single ply C-fold paper towels.



F24



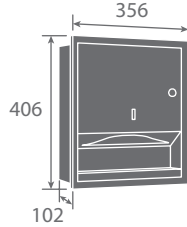
F94T



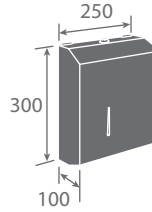
F100

PAPER TOWEL DISPENSERS

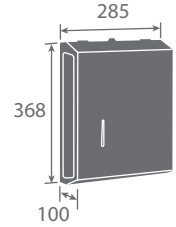
Dimensions in millimeters



3148



3055S



3055

PAPER TOWEL DISPENSERS AND WASTE DISPOSAL

3128

Paper towel dispenser and waste disposal

Finish: F24

Dispenses 360 C-fold or 470 multi-fold paper towels. With 2 gallons (9 litres) removable waste container. SUS304 stainless steel with satin stainless steel finish. Suggested mounting height 1711mm from floor to top of unit.

Wall Opening:

305mm wide, 660mm high, 102mm deep.



3145

Recessed paper towel dispenser and disposal

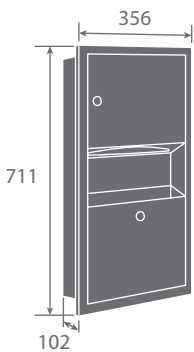
Finish: F24

Recessed mounting. Dispenses 600 C-fold, 800 multi-fold or 1100 single fold paper towels. Full face stainless steel door with satin stainless steel finish, concealed heavy duty stainless steel piano hinge and tumbler locks. Removable interior waste container. Whole unit is made of heavy gauge SUS304 stainless steel.

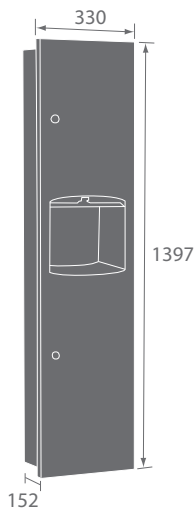
Capacity: 7 gallons (31.5 litres).

Wall Opening:

292mm wide, 1360mm high, 145mm deep.



3128



3145

Dimensions in millimeters

WASTE DISPOSALS

3120 Towel and waste receptacle

Finish: F24
Free standing floor units made of SUS304 stainless steel with satin stainless steel finish.



3121 Towel and waste receptacle

Finish: F24
Free standing floor units made of SUS304 stainless steel with satin stainless steel finish.



3121-S Towel and waste receptacle

Finish: F24
Free standing floor units made of SUS304 stainless steel with satin stainless steel finish.



3125 Towel and waste receptacle with cover

Finish: F24
Free standing floor units made of SUS304 stainless steel with satin stainless steel finish.



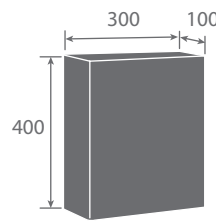
3131 Sanitary napkin and towel receptacle

Finish: F24
Wall mounting unit. SUS304 stainless steel with satin stainless steel finish. Cover mounted on stainless steel piano hinge. Lower trap door with self-closing lock.

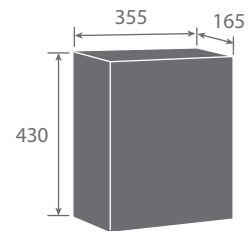


WASTE DISPENSERS

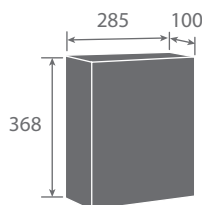
Dimensions in millimeters



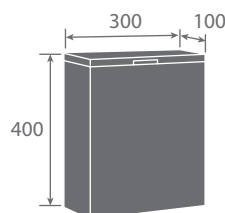
3120



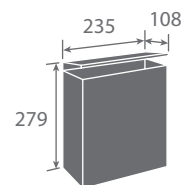
3121



3121-S



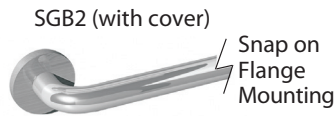
3125



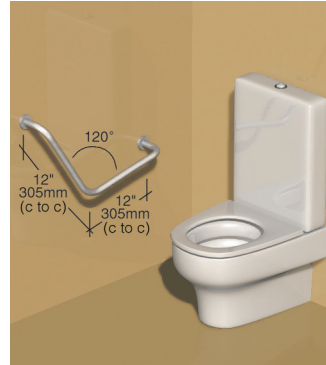
3131

Stainless Steel Grab Bars Configurations

Ø25mm, Ø32mm & Ø38mm tubing all grab bars are made of 1.2mm thickness SUS304 tubing.



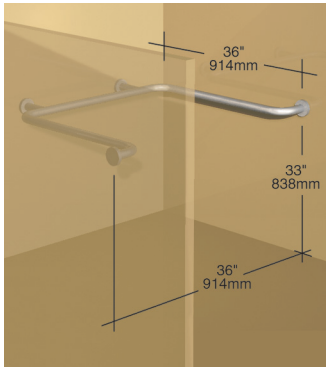
101
Vertically or Horizontally



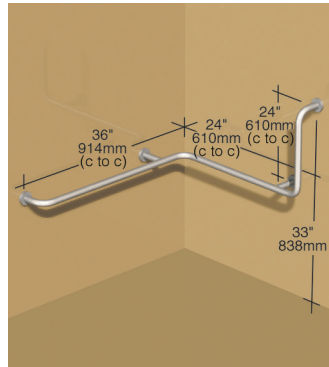
103
Bent angle grab bar



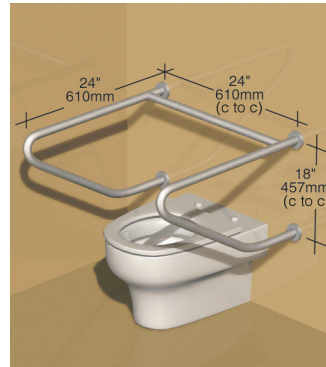
104LH
Horizontal right angle hung grab bar



111
Shower stall support bar



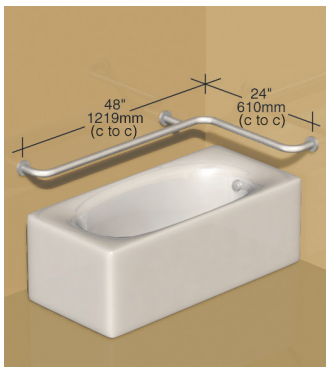
112LH
Horizontal angle two way shower bar



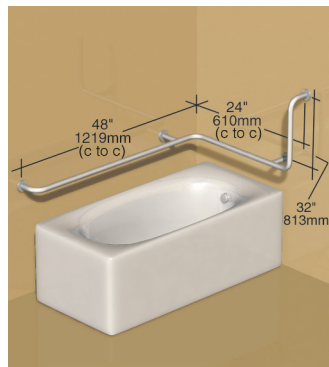
114
Wall hung with straddle bar



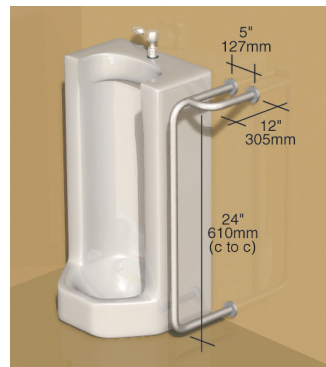
115
Floor to wall



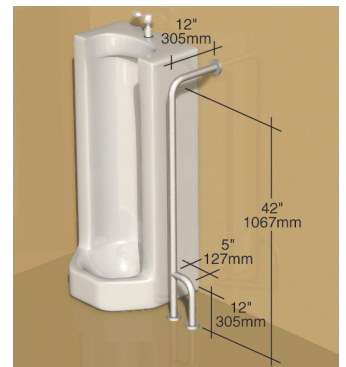
116
Horizontal angle



117LH
Two way tub bar horizontal angle



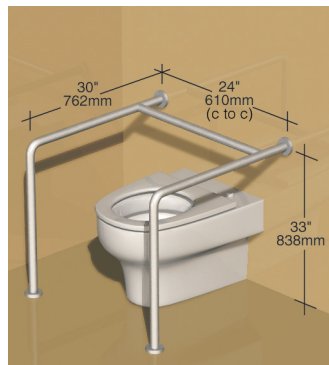
119RH
Wall hung slide bar with outrigger



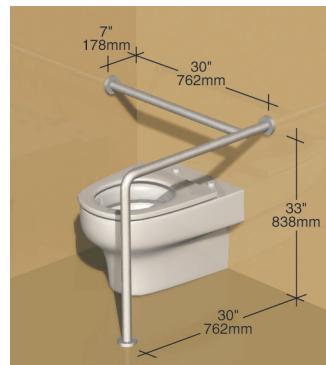
122RH
Floor to wall with outrigger



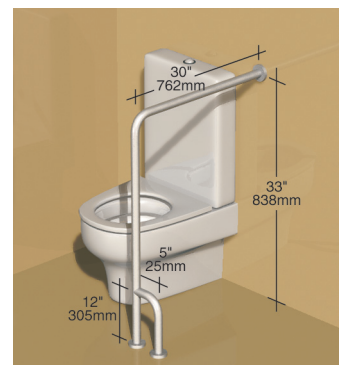
124
Wall hung wheel chair toilet compartment



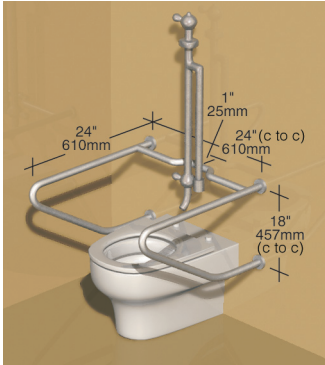
131
Wall to floor straddle bar



132RH
Floor to wall with one end straddle bar

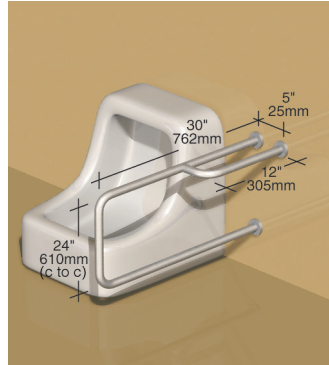


133RH
Wall to floor with outrigger



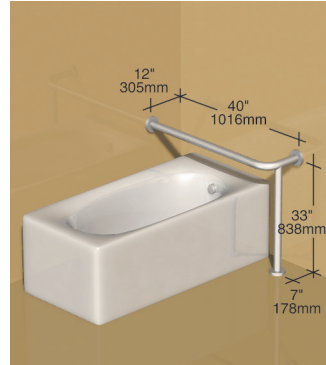
134

Wall hung straddle bar (flush valve)



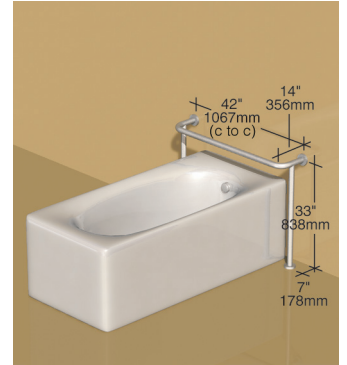
135RH

Wall hung slide bar with outrigger



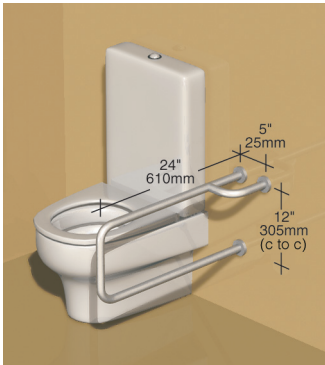
136RH

Floor to wall single support bar



137

Floor to wall two end double support bar



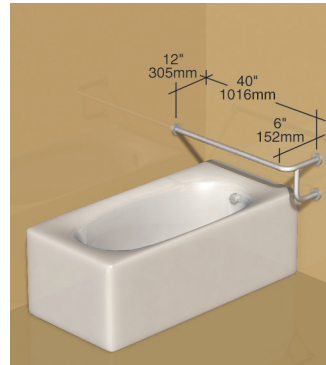
138RH

Wall hung side bar with outrigger



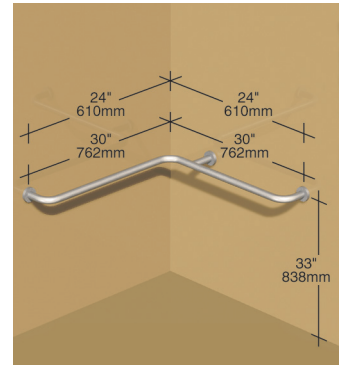
140LH

Horizontal angle



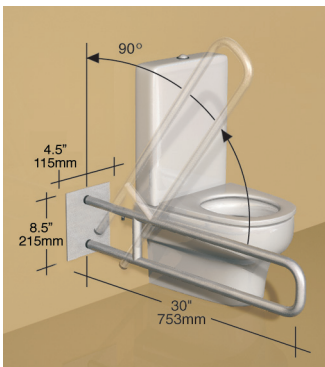
141RH

Two end single support bar



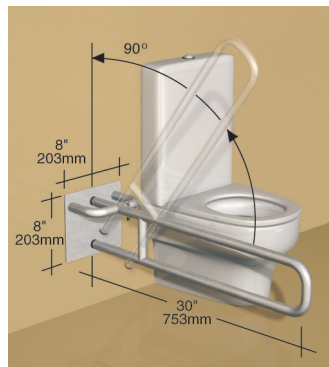
142

Horizontal two wall shower bar



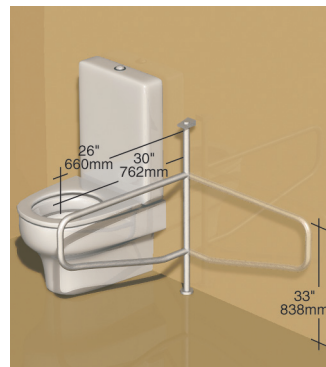
152

Swings up grab bar only ø32mm tubing



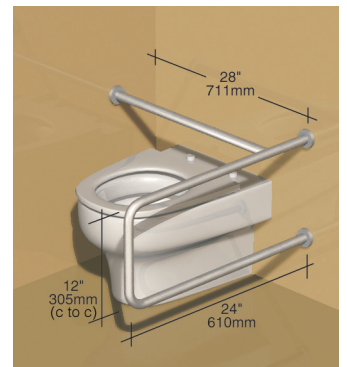
153

Swings up grab bar only ø32mm tubing



154

Wall to floor slide bar with outrigger only ø38mm tubing





155RH

Wall hung with one end straddle bar










How to Order:

Mounting Size Model Hand Finish
SGB2 - **32** - **138** **RH** - **F24**

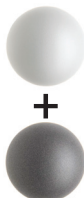

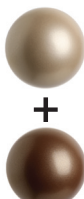
SUS Finishes List

BONCO	Description	BONCO	Description
	F24 Satin stainless steel		F25 Polished stainless steel

BPC Finishes List

BONCO	Description	BONCO	Description
	F91 Matt black powder coating		F91T Matt black powder coating with rough surface
	F93 Matt white powder coating		F93T Matt white powder coating with rough surface
	F94T Matt light grey powder coating with rough surface		F96T Matt dark grey powder coating with rough surface
	F97 Matt brown powder coating		F97T Matt brown powder coating with rough surface
	F99 Matt champagne silver powder coating		F100 Matt silver grey powder coating

BONCO	Description	BONCO	Description
	F100T Matt silver grey powder coating with rough surface		F101 Matt champagne gold powder coating
	F102 Matt antique brass gold powder coating		F102T Matt antique brass gold powder coating with rough surface
	F104T Matt light green powder coating with rough surface		F105T Matt dark green powder coating with rough surface
	F106T Matt light blue powder coating with rough surface		F107T Matt dark blue powder coating with rough surface
	F108T Matt rose gold powder coating with rough surface		

	C02 Matt light / dark grey powder coating with rough surface		C04 Matt champagen silver / silver grey powder coating
	C05 Matt champagen gold / antique brass gold powder coating		



Name of quality & dependability

www.boncohardware.com

BONCO Ironmongery Ltd.

A Member of E. Bon Holdings (HKEx stock code 599)

16/F, First Commercial Building, 33 Leighton Rd., Causeway Bay, H.K.
Tel : (852) 2891 2188 Fax : (852) 2834 2652