

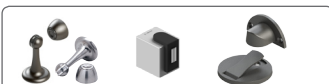









Miscellaneous Hardware



simplicity can be beautiful and functional

CH-202.....	MH22	DS-097	MH 4
DB-008	MH14	DS-098	MH10
DB-008K	MH14	DS-099	MH9
DB-036A	MH14	DS-100 / DS-100S.....	MH10
DC-011	MH25	DT-052 (38kgs) (5', 6', 8', 10').....	MH26
DC-018	MH23	DT-054 (65kgs) (5', 6', 8', 10').....	MH26
DC-063	MH25	DT-056 (100kgs) (5', 6', 8', 10').....	MH26
DG-106N	MH23	DT-052C (38kgs) (5', 6', 8', 10')	MH42
DG-109	MH23	DT-054C (65kgs) (5', 6', 8', 10')	MH42
DG-110	MH23	DT-052T (38kgs) (5', 6', 8', 10')	MH28
DG-111	MH23	DT-054T (65kgs) (5', 6', 8', 10')	MH28
DP-042	MH25	DT-056T (90kgs) (5', 6', 8', 10')	MH28
DP-042XL	MH25	DT-061-N (85kgs) (5', 6', 8', 10')	MH30
DS-003	MH 4	DT-061-SH-N (85kgs) (5', 6', 8', 10')	MH32
DS-005	MH 6	DT-061T-N (85kgs) (5', 6', 8', 10')	MH34
DS-024	MH 9	DT-061T-SH-N (85kgs) (5', 6', 8', 10')	MH36
DS-025	MH 9	DT-081 (38kgs) (5', 6', 8', 10').....	MH38
DS-027	MH 9	DT-082 (120kgs) (5', 6', 8', 10').....	MH38
DS-028	MH 4	DT-081T (38kgs) (5', 6', 8', 10').....	MH40
DS-029	MH 4	DT-082T (120kgs) (5', 6', 8', 10').....	MH40
DS-029H.....	MH 4	DT-081C (38kgs) (5', 6', 8', 10')	MH44
DS-032	MH 6	DT-082C (65kgs) (5', 6', 8', 10')	MH44
DS-037	MH 4	DT-081FD (38kgs) (5', 6', 8', 10')	MH46
DS-038	MH 4	DT-081FD-1, 2, 3 , 4.....	MH46
DS-040	MH 9	DV-014C.....	MH24
DS-046S	MH 8	DV-015, 015C.....	MH24
DS-046L	MH 8	FB-019.....	MH13
DS-050	MH 6	FB-055.....	MH13
DS-051	MH 6	FB-069.....	MH13
DS-053	MH15	KP-3001, 3002.....	MH15
DS-060 / DS-060S	MH 6	KP-3006XS, S, L	MH16
DS-068	MH 6	KP-3008A, B, D.....	MH16
DS-071	MH 6	KP-3013.....	MH16
DS-073	MH 8	KP-3015.....	MH17
DS-083	MH12	KP-3017.....	MH17
DS-084	MH 4	KP-3018.....	MH17
DS-085	MH12	KP-3019XS, S, L	MH16
DS-086	MH 6	KP-3020.....	MH16
DS-088	MH 10	KP-3021XS, S, L	MH17
DS-089	MH 10	KP-3022XS, S, L	MH17
DS-090	MH 10	KP-3023.....	MH17
DS-091	MH 4	KP-3024.....	MH17
DS-092	MH 4	OH-101 / OH-101S	MH20
DS-093	MH 4	SS-8114.....	MH22
DS-094	MH 10	4330BB.....	MH22
DS-095	MH 10	4430BB.....	MH22
DS-096	MH 4	Finishes.....	MH49-51

	Door Stops (Floor Mounts)	MH4 - MH5
	Door Stops (Wall Mounts)	MH6-MH7
	Door Holders (Door Mounts)	MH8
	Door Holders with Magnetic / Door Holders with Hook (Wall / Floor Mounts)	MH9 - MH12
	Flush Bolts	MH13
	Indicating Bolts	MH14
	Door Selector	MH15
	Retractable Push Button Knobs	MH15
	Flush Pulls	MH16 - MH19
	Offset Pivot Hinge	MH20 - MH21
	Hinges	MH22
	Door Chain / Door Guards	MH23
	Brass Door Viewers	MH24
	Door Catches	MH25
	Dustproof Sockets	MH25
	Sliding Door Track Sets	MH26 - MH41
	Concealed Type Sliding Door Track Sets	MH42 - MH45
	Folding Type Sliding Door Track Sets	MH46 - MH48
	List and symbols of materials and finishes	MH49 -MH51

Numerous patents, copyrights, and trademarks are held by us to protect the integrity and reputation of our distinctive line of hardware appointments. Manufacturer reserves all rights of any modification, materials and specifications without notice.

DOOR STOPS

Floor Mounts

Standard Finishes:
F21, F22, F91~F102,
F91T~F108T,
PVD (by request)

DS-003

Material : Zinc alloy



F102

DS-028

Material : Zinc alloy



F21

DS-029

Material : Zinc alloy



F21

DS-029H

Material : Zinc alloy



F97

DS-037

Material : Zinc alloy



F94T

DS-038

Material : Zinc alloy



F96T

DS-084

Material : Brass



F21

DS-091

Material : Zinc alloy



F22

DS-092

Material : Zinc alloy



F305

DS-093

Material : Zinc alloy



F22

DS-096

Material : Zinc alloy



F91

DS-097

Material : Zinc alloy

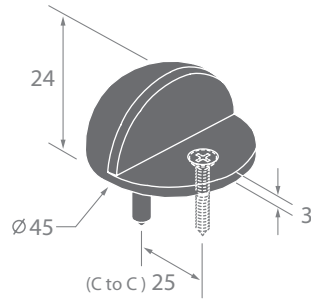


F108T

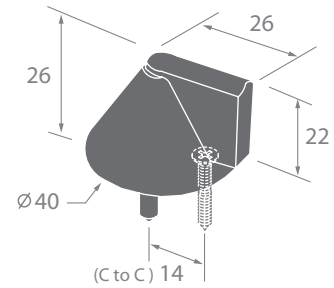
DOOR STOPS

Floor Mounts

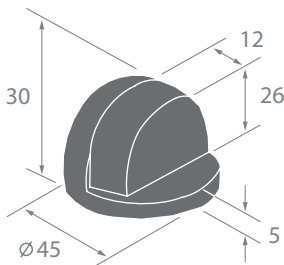
Dimensions in millimeters



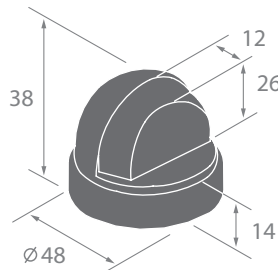
DS-003



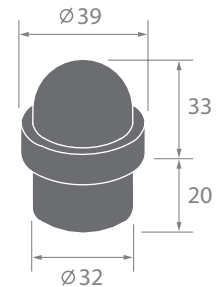
DS-028



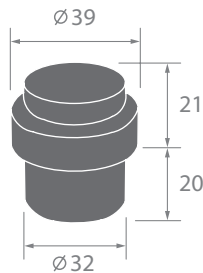
DS-029



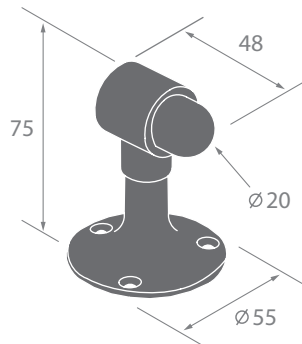
DS-029H



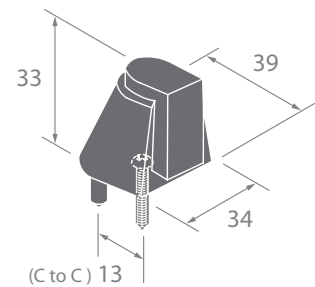
DS-037



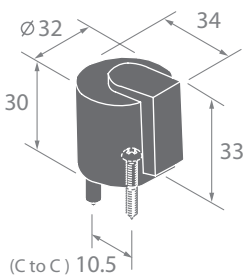
DS-038



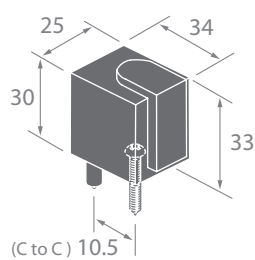
DS-084



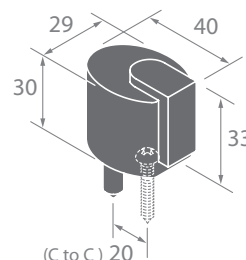
DS-091



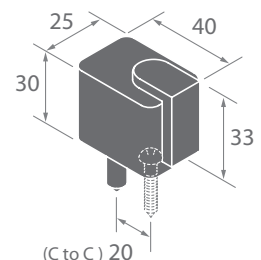
DS-092



DS-093



DS-096



DS-097

DOOR STOPS

Wall Mounts

Standard Finishes:
F21, F22, F91~F102,
F91T~F108T,
PVD (by request)

DS-005

Material : Zinc alloy



F91

DS-032

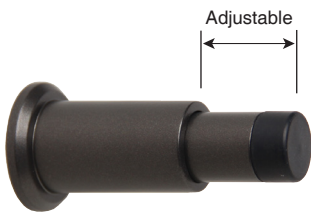
Material : Stainless steel



F25

DS-050

Material : Zinc alloy
Adjustable : 68 - 98mm



F97

DS-051

Material : Zinc alloy



F94T

DS-060

Material : Brass



F106T

DS-060S

Material : Brass



F102T

DS-068

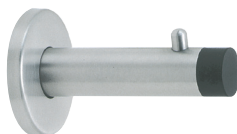
Material : Zinc alloy



F93

DS-071

Door stop with hook
Material : Stainless steel



F24

DS-086

Material : Brass

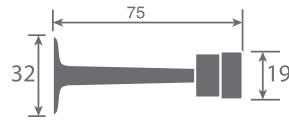


F97

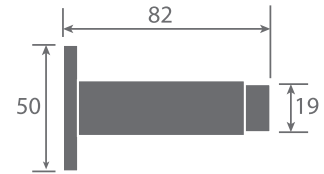
DOOR STOPS

Wall Mounts

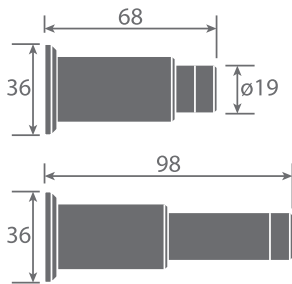
Dimensions
in millimeters



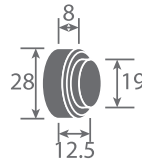
DS-005



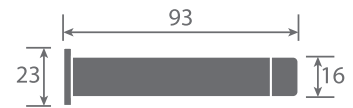
DS-032



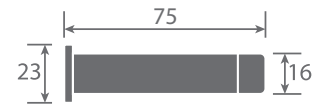
DS-050



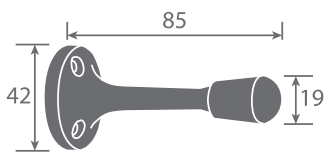
DS-051



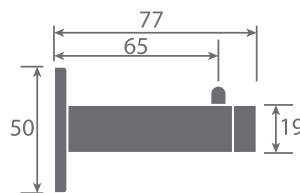
DS-060



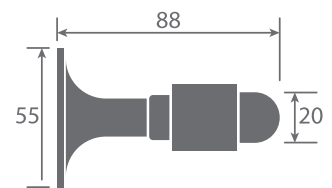
DS-060S



DS-068



DS-071



DS-086

DOOR HOLDERS

Door Mounts

Standard Finishes:

F21, F22, F91~F102,
F91T ~F108T

DS-046S

Material : Zinc alloy



F93

DS-046L

Material : Zinc alloy



F91

DS-073

Material : Zinc alloy



F21

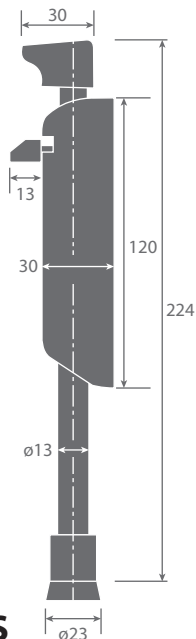


*spring function for holding the door firmly.

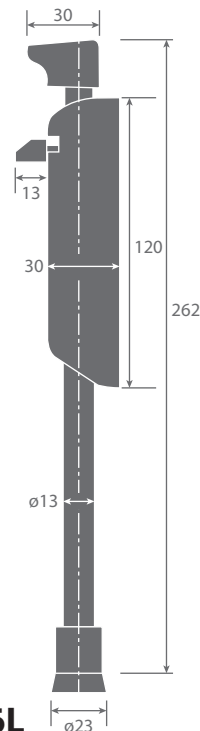
DOOR HOLDERS

Door Mounts

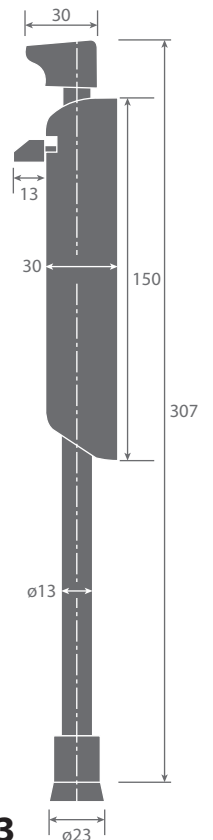
Dimensions
in millimeters



DS-046S



DS-046L



DS-073

DOOR HOLDERS WITH MAGNETIC

Wall / Floor Mounts

Standard Finishes:

F21, F22, F91~F102,
F91T ~F108T, PVD (by request)

DS-040

Wall / Floor type magnetic door holder
(Either floor or wall fixing)
Material: Zinc alloy



F97

F22

DS-027

Wall / Floor type magnetic door holder
(Either floor or wall fixing)
Material: Zinc alloy



F305

DS-099

Floor type magnetic door holder
Material: Stainless steel



F100T

DS-024

Floor type magnetic door holder
(turn the rubber around if magnetic is not needed)
Material: Zinc alloy



F22

DS-025

Floor type magnetic door holder
(turn the rubber around if magnetic is not needed)
Material: Zinc alloy



F96T

DOOR HOLDERS WITH MAGNETIC

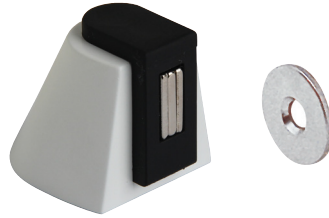
Wall / Floor Mounts

Standard Finishes:

F21, F22, F91~F102,
F91T ~F108T, PVD (by request)

DS-088

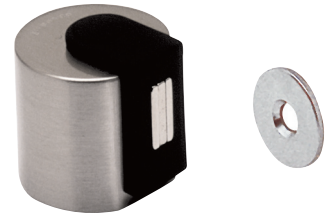
Floor type magnetic door holder
Material: Zinc alloy



F93

DS-089

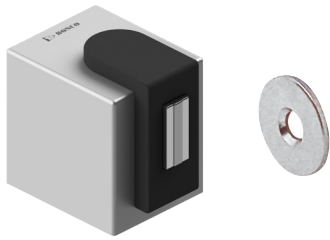
Floor type magnetic door holder
Material: Zinc alloy



F22

DS-090

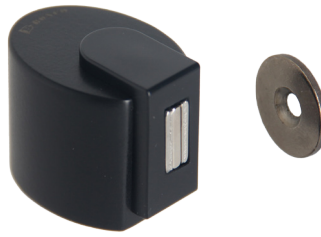
Floor type magnetic door holder
Material: Zinc alloy



F94T

DS-094

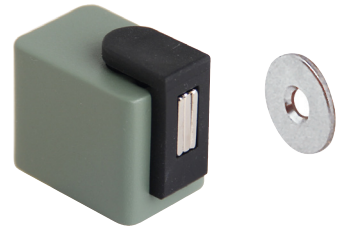
Floor type magnetic door holder
Material: Zinc alloy



F91

DS-095

Floor type magnetic door holder
Material: Zinc alloy



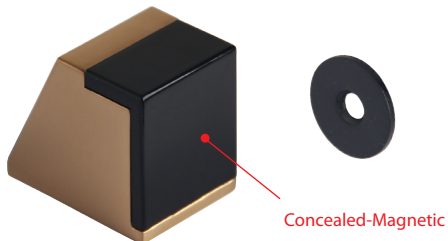
F104T

DS-098

NEW

PATENTED

Floor type magnetic door holder
Material: Zinc alloy



F302

DS-100

NEW

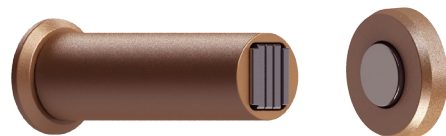
Wall type magnetic door holder
Material: Zinc alloy & aluminium



F100

DS-100S

NEW

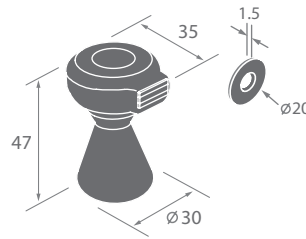


F102T

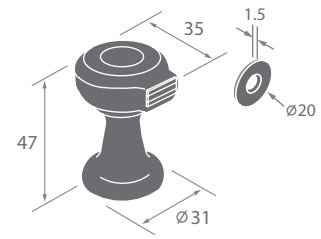
DOOR HOLDERS WITH MAGNETIC

Wall / Floor Mounts

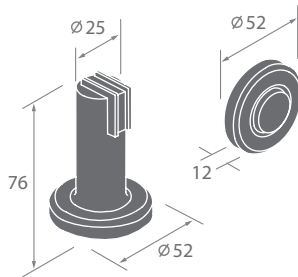
Dimensions
in millimeters



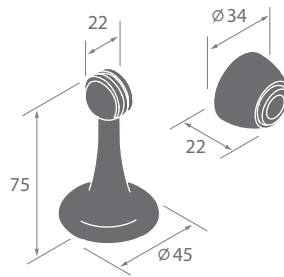
DS-024



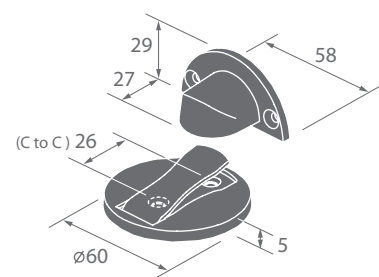
DS-025



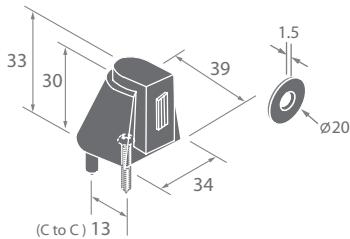
DS-027



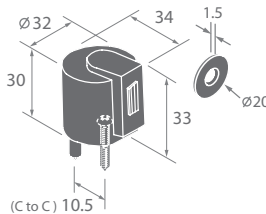
DS-040



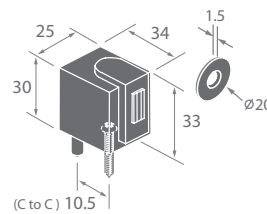
DS-099



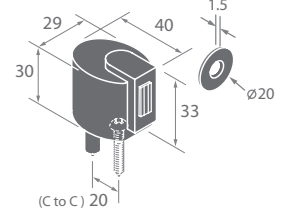
DS-088



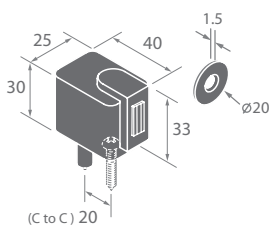
DS-089



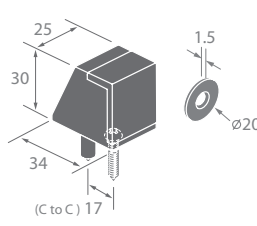
DS-090



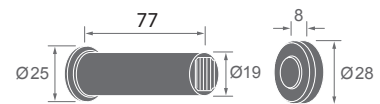
DS-094



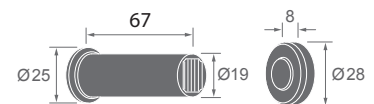
DS-095



DS-098 **NEW**



DS-100 **NEW**



DS-100S **NEW**

DOOR HOLDERS WITH HOOK

Wall / Floor Mounts

Standard Finishes:

F21, F22, F91~F102,
F91T ~F108T, PVD (by request)

DS-083

Floor type door holder with hook
Material: Brass



F21

DS-085

Wall type door holder with hook
Material: Brass

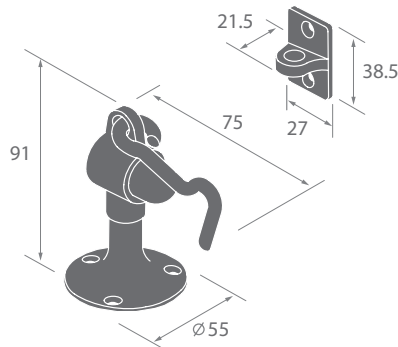


F91

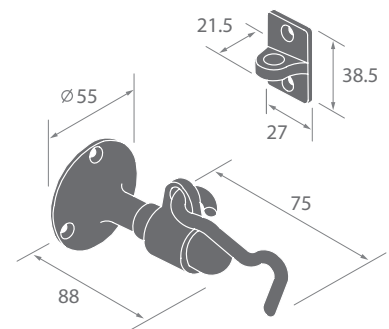
DOOR HOLDERS WITH HOOK

Wall / Floor Mounts

Dimensions
in millimeters



DS-083



DS-085

FLUSH BOLTS

Standard Finishes:
 F24, F25, F91~F102,
 F91T~F108T,
 PVD (by request)

FB-019

Material : Stainless steel

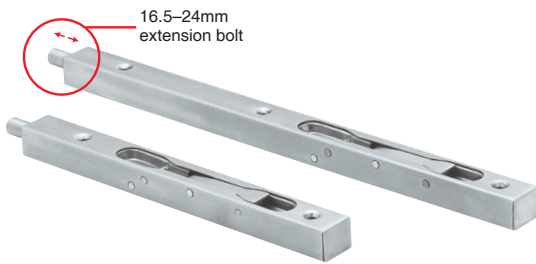


F97

(passed 70,000 cycle test)

FB-055

Material : Stainless steel

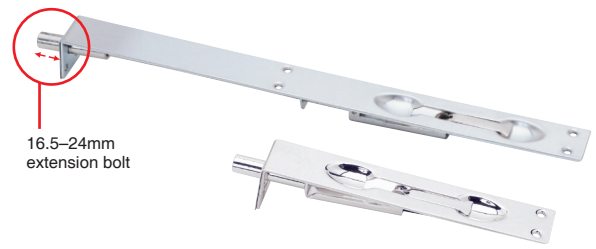


F24

(passed 70,000 cycle test)

FB-069

Material : Stainless steel

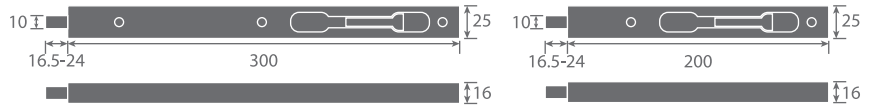


F25

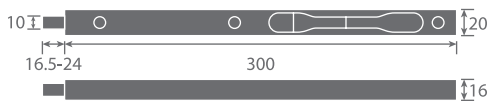
(passed 70,000 cycle test)

FLUSH BOLTS

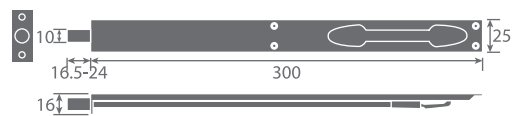
Dimensions
 in millimeters



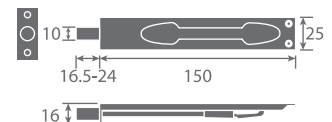
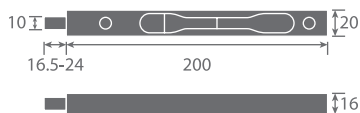
FB-019



FB-055



FB-069



INDICATING BOLTS

Standard Finishes:
F21, F22, F91~F102,
F91T ~F108T

DB-036A

Indicating bolt
Material : Zinc alloy



DB-008

PATENTED

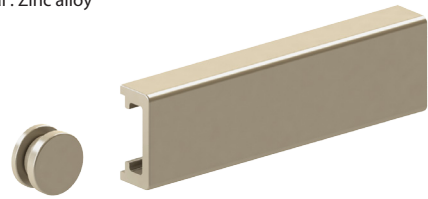
Indicating bolt
Material : Zinc alloy



DB-008K

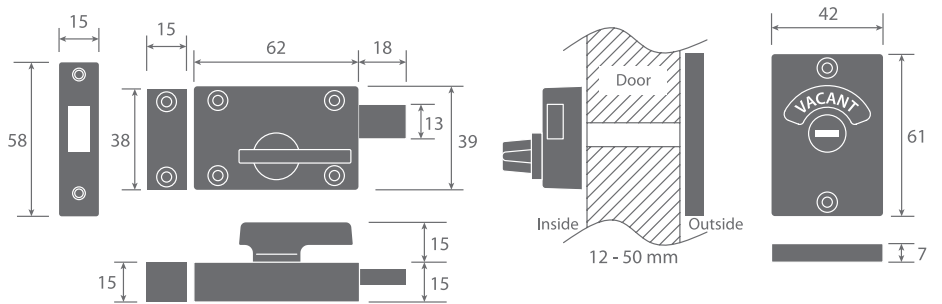
PATENTED

Barrel bolt
Material : Zinc alloy

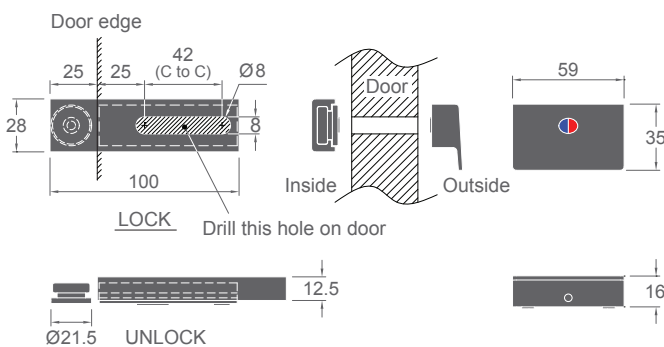


FLUSH BOLTS

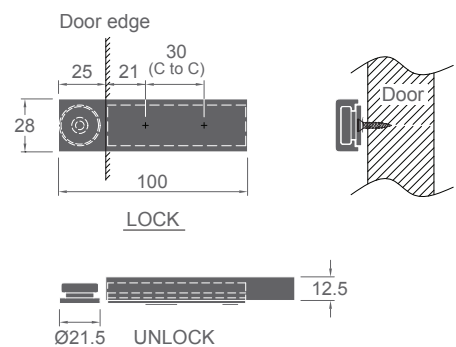
Dimensions
in millimeters



DB-036A



DB-008



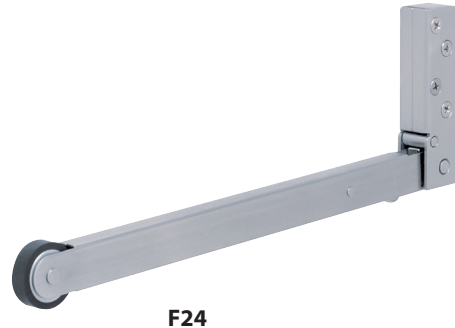
DB-008K

DOOR SELECTOR

Standard Finishes:
F24, F91~ F102 ,
F91T ~ F108T

DS-053

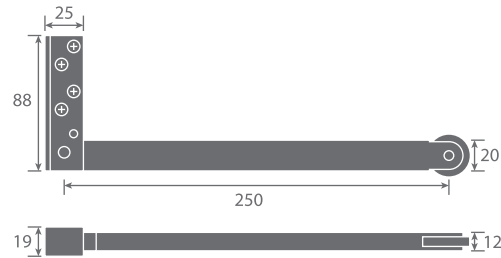
Door Selector
Material : Stainless steel



F24

DOOR SELECTOR

Dimensions
in millimeters



DS-053

RETRACTABLE PUSH BUTTON KNOB

Standard Finishes:
F21, F22, F31, F32

KP-3001

Material : Zinc alloy



F22

KP-3002

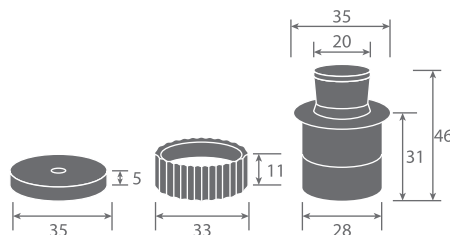
Material : Zinc alloy



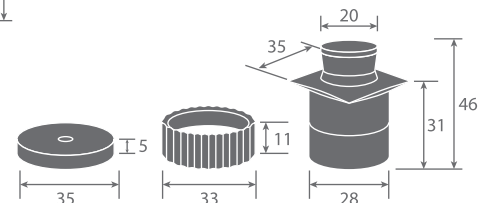
F21

RETRACTABLE PUSH BUTTON KNOB

Dimensions
in millimeters



KP-3001



KP-3002

FLUSH PULLS

Standard Finishes:
F21, F22, F91~F102,
F91T~F108T
PVD (by request)

KP-3008A

Material : Zinc alloy



F21

KP-3008B

Material : Zinc alloy



F101

KP-3008D

Material : Zinc alloy



F21

KP-3006XS

Material : Zinc alloy



F97

KP-3006S

Material : Zinc alloy



F97

KP-3006L

Material : Zinc alloy



F97

KP-3013

Material : Zinc alloy



F93T

KP-3019XS

Material : Zinc alloy



F93

KP-3019S

Material : Zinc alloy



F93

KP-3019L

Material : Zinc alloy



F93

KP-3020

Material : Zinc alloy



F22

FLUSH PULLS

Standard Finishes:
F21, F22, F91~F102,
F91T ~F108T
PVD (by request)

KP-3021XS

Material : Zinc alloy



F94T

KP-3021S

Material : Zinc alloy



F94T

KP-3021L

Material : Zinc alloy



F94T

KP-3022XS

Material : Zinc alloy



F91

KP-3022S

Material : Zinc alloy



F91

KP-3022L

Material : Zinc alloy



F99

KP-3023

Material : Zinc alloy



F100

KP-3015

Material : Zinc alloy



F22

KP-3017

Material : Zinc alloy



F21

KP-3018

Material : Zinc alloy



F22

KP-3024

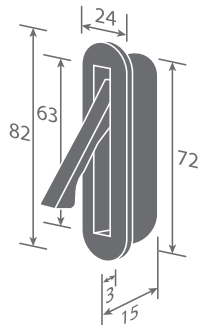
Material : Zinc alloy



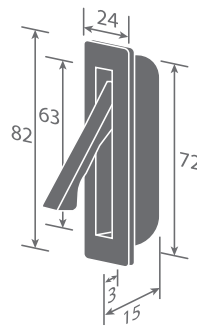
F102

FLUSH PULLS

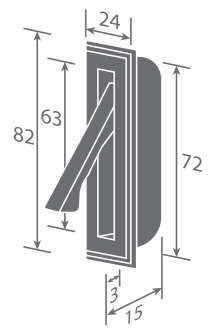
Dimensions
in millimeters



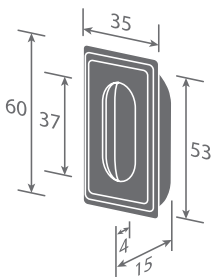
KP-3008A



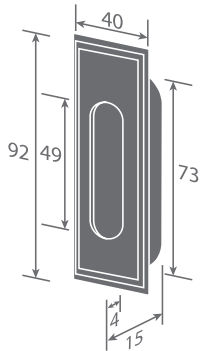
KP-3008B



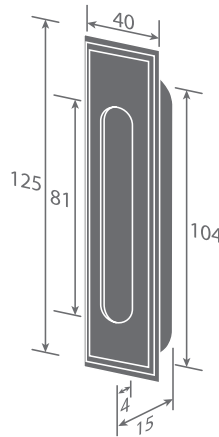
KP-3008D



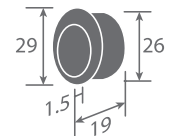
KP-3006XS



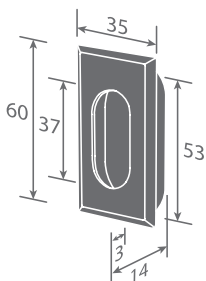
KP-3006S



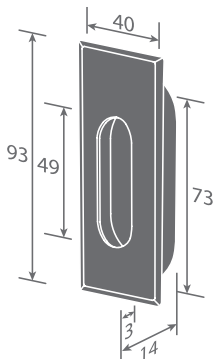
KP-3006L



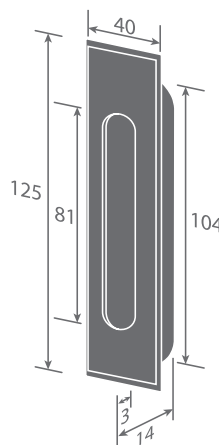
KP-3013



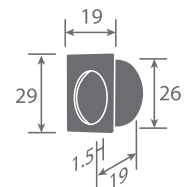
KP-3019XS



KP-3019S



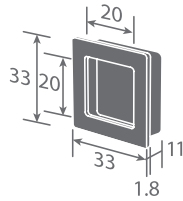
KP-3019L



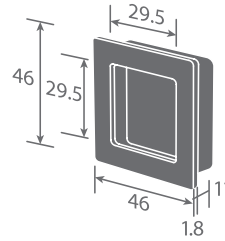
KP-3020

FLUSH PULLS

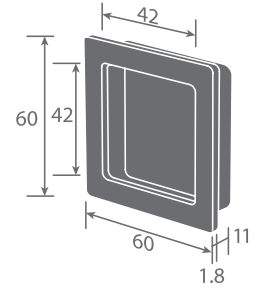
Dimensions
in millimeters



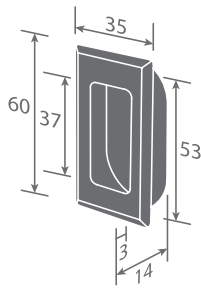
KP-3021XS



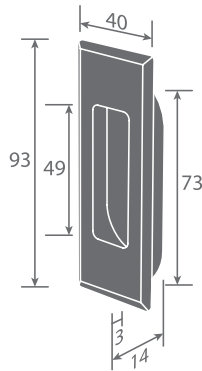
KP-3021S



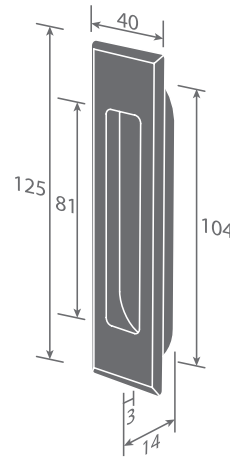
KP-3021L



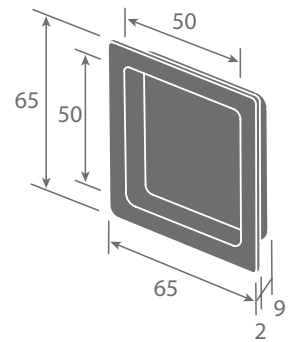
KP-3022XS



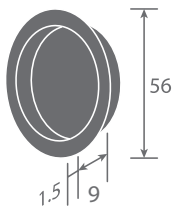
KP-3022S



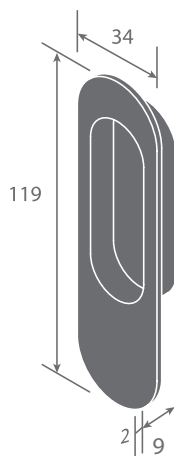
KP-3022L



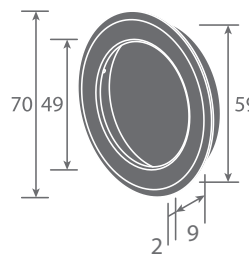
KP-3023



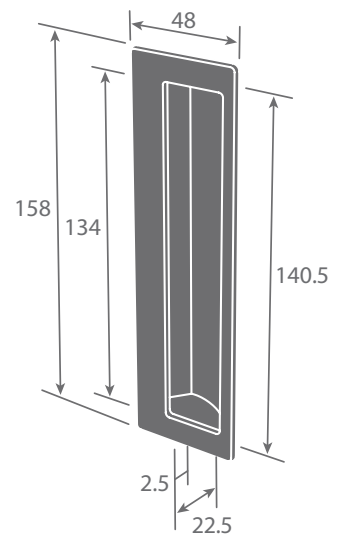
KP-3015



KP-3017



KP-3018



KP-3024

OFFSET PIVOT HINGE

Standard Finishes:
F24, F91~F102,
F91T ~F108T

OH-101/OH-101S

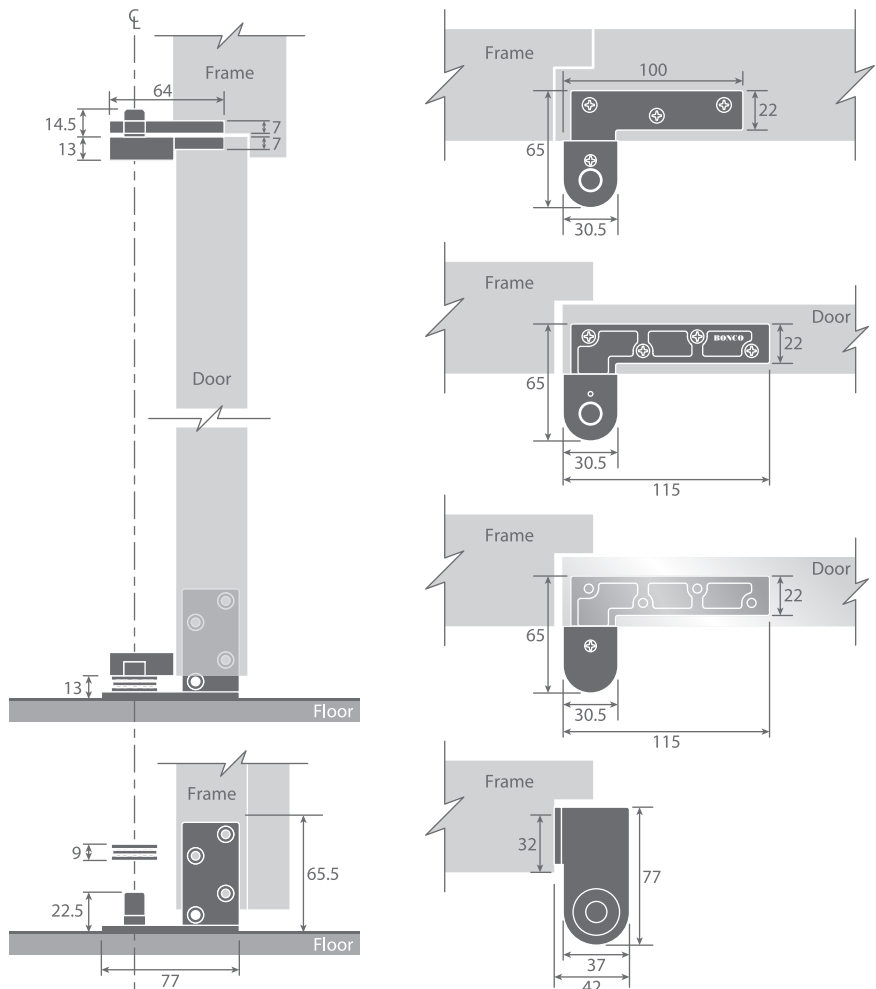
Max Weight: 160kg
Max Door Width: 1200mm
Handed: LH or RH
Door Thickness: 30-55mm (Passed 200,000 Cycle Test)
Material:
OH-101 made of Zinc Alloy;
OH-101S made of Stainless Steel.



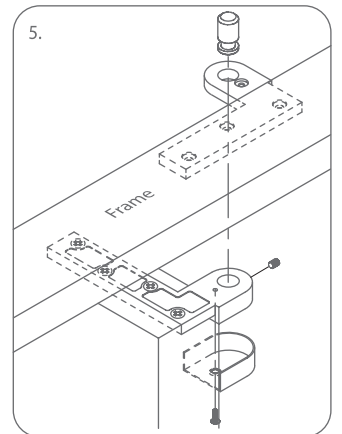
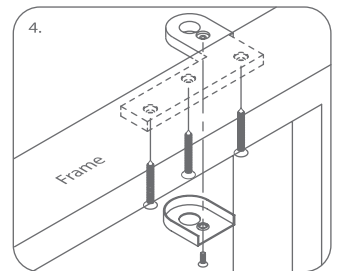
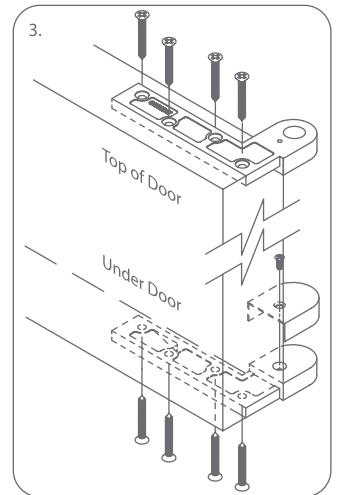
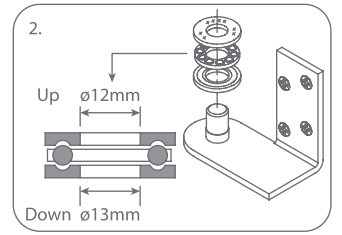
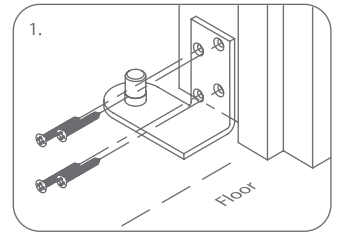
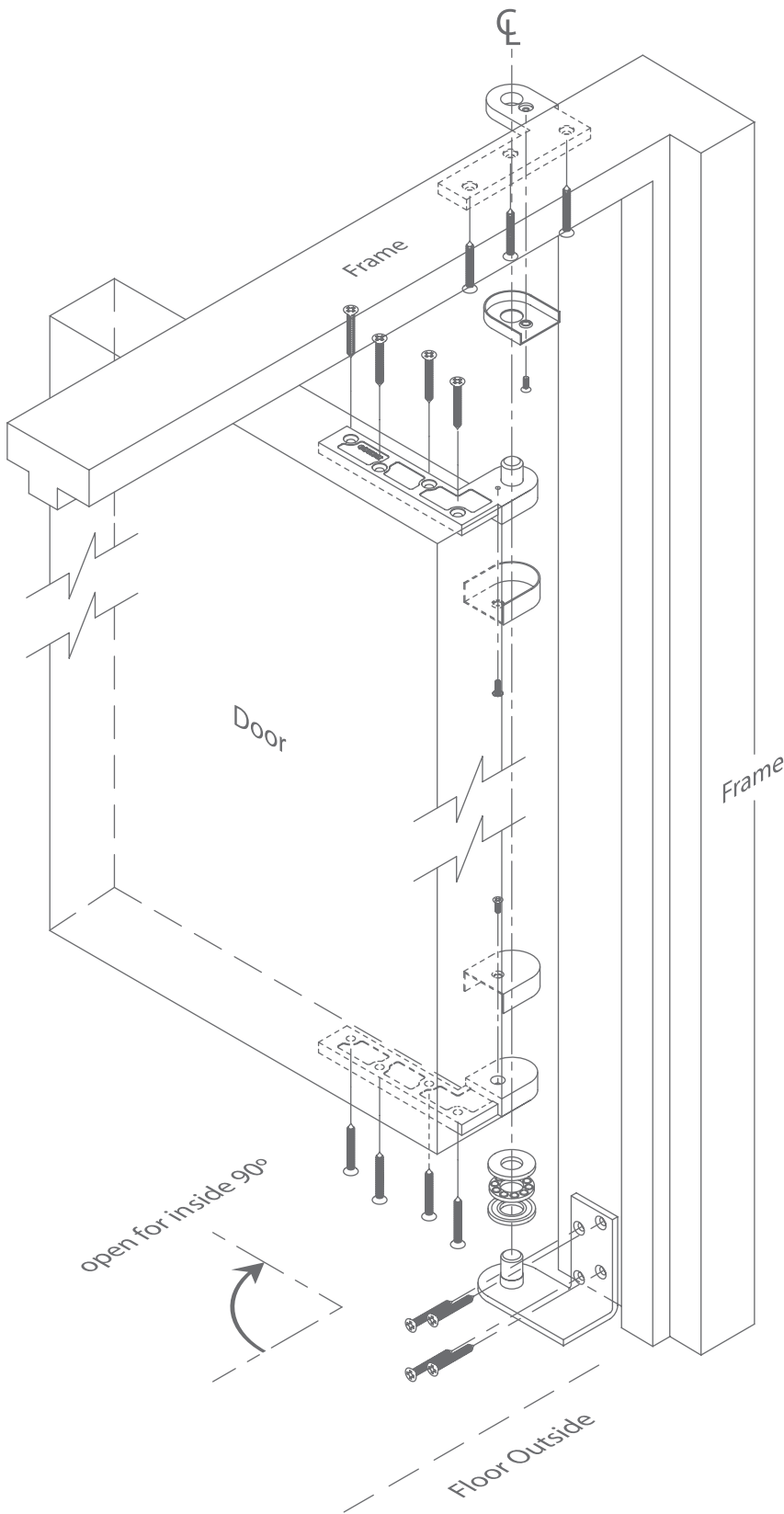
F24

OFFSET PIVOT HINGE

Dimensions
in millimeters



Template for OH-101-RH



HINGES

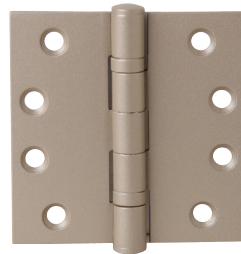
Standard Finishes:
F24, F25, F91~ F102,
F91T~ F108T,
PVD (by request)

4430BB

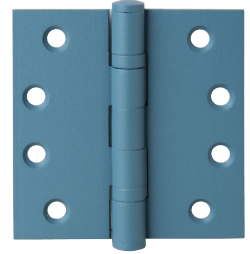
Butt hinges with ball bearing
Material : Stainless steel



F91



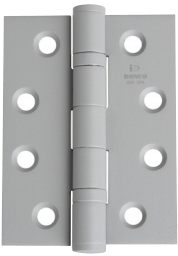
F101



F106T

4330BB

Butt hinges with ball bearing
Material : Stainless steel



F94T



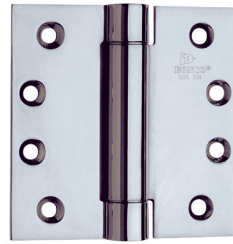
F102T



F104T

SS-8114

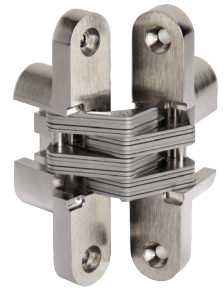
Single action spring hinges
Material : Stainless steel



F25

CH-202

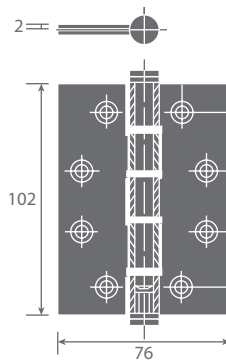
Concealed hinges
Materials : Zinc alloy and Hyden steel



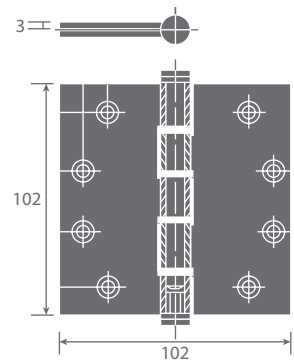
F22 ONLY

HINGES

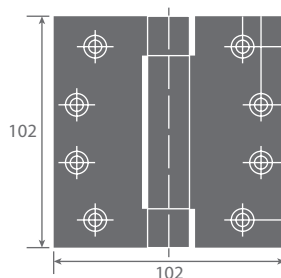
Dimensions
in millimeters



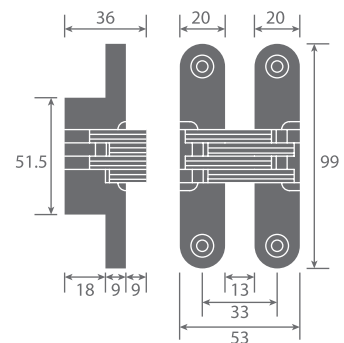
4330BB



4430BB



SS-8114



CH-202

DOOR CHAIN / DOOR GUARD HOOKS

Standard Finishes:
F21, F22, F91~F102, F91T ~F108T

DC-018

Door chain

Material : Stainless steel
F24, F25 only for this model



F25

DG-106N

Door guard

Material : Zinc alloy



F91

DG-109

Door guard

Material : Zinc alloy



F21

DG-110

Door guard

Material : Zinc alloy



F93

DG-111

Door guard

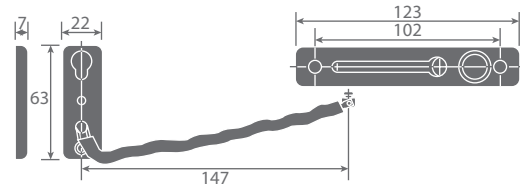
Material : Zinc alloy



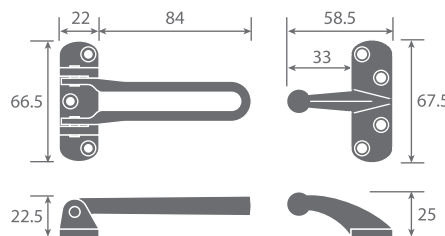
F22

DOOR CHAIN / DOOR GUARD HOOKS

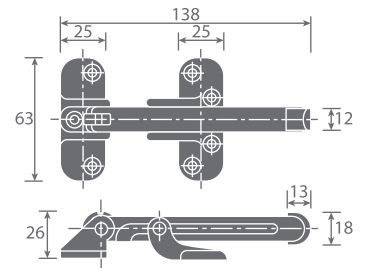
Dimensions
in millimeters



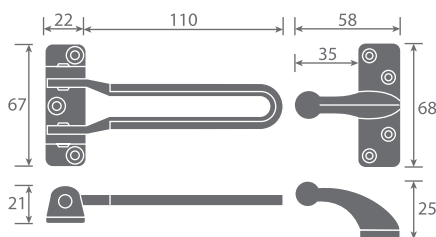
DC-018



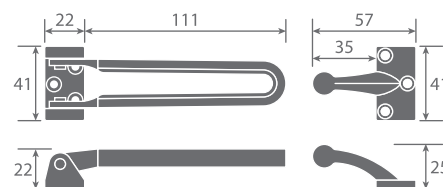
DG-106N



DG-109



DG-110



DG-111

BRASS DOOR VIEWERS

Standard Finishes:

F21, F22,
F47 (Satin Bronze)
F48 (Matt Black)

100% Glass Lenses

- All models with highly polished precision optical glass lenses.
- By extending male screw, female screw, or both (or by shortening), the door viewer can easily be adjusted for any door thickness. Please indicate the sizes required if our standard sizes do not fit your doors. We will make adjustments to meet your requirements.
- Door Thickness : 35 ~ 60mm (1-3/8" ~ 2-3/8"), 45 ~ 75mm (1-3/4" ~ 3")
- Adjustable for door thickness from 35mm to 60mm or 45mm to 75mm.
- Extension link can be added for door thickness over 60mm or 75mm.

How to install

Drill 14mm or 16mm hole in door (depends on model) at desired height. Insert lens part from outside and female screw from inside. Screw together. Use coin in slot to tighten.

DV-014C (200°)

(with shutter)
Material: Brass



F48

DV-015 (200°)

Material: Brass



F21

DV-015C (200°)

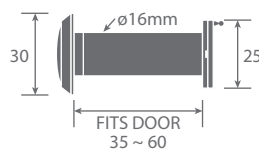
(with shutter)
Material: Brass



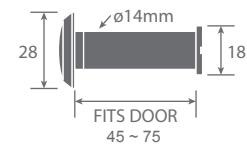
F22

BRASS DOOR VIEWERS

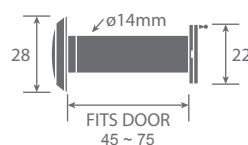
Dimensions
in millimeters



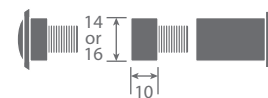
DV-014C



DV-015



DV-015C



Extension Link

DOOR CATCHES

DC-011
Adjustable door catch
Material : Stainless steel
Finishes : F24, F25



F24

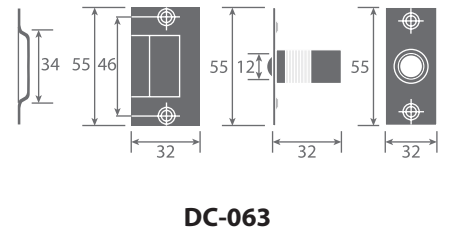
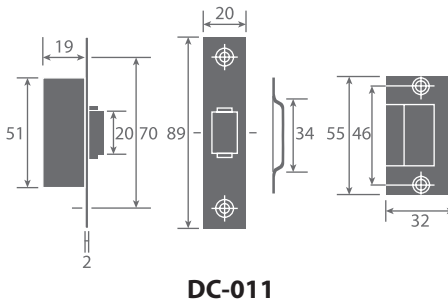
DC-063
Adjustable door catch
Material : Zinc alloy
Finishes : F21, F22, F91~F102, F91T~F108T



F91

DOOR CATCHES

Dimensions in millimeters



DUSTPROOF SOCKETS

Standard Finishes: F21, F22

DP-042
Material : Brass



F21

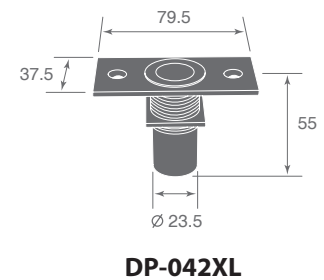
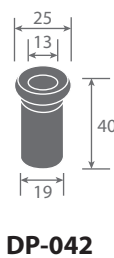
DP-042XL
Material : Brass



F22

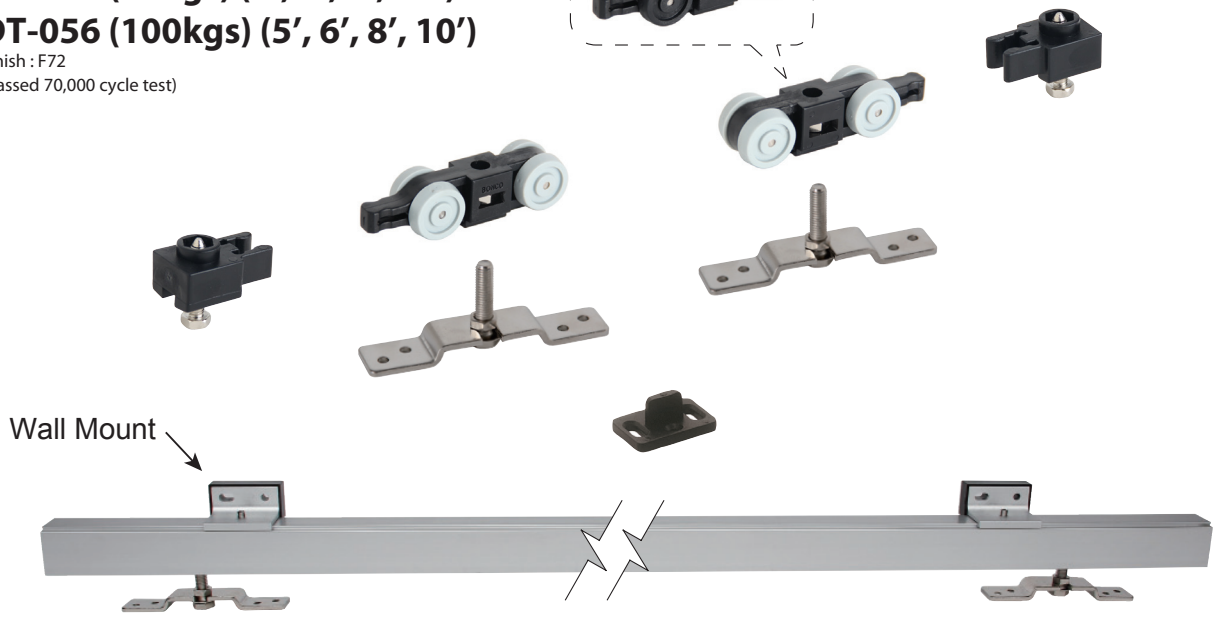
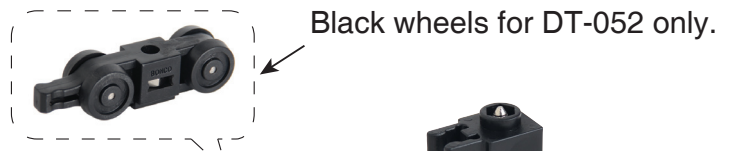
DUSTPROOF SOCKETS

Dimensions in millimeters

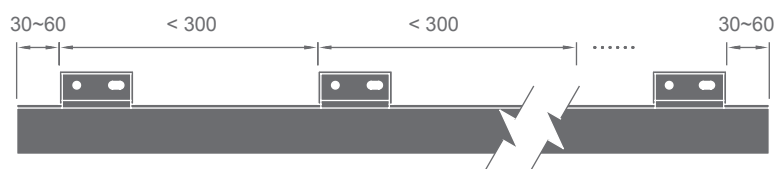


SLIDING DOOR TRACK SETS

DT-052 (38kgs) (5', 6', 8', 10')
DT-054 (65kgs) (5', 6', 8', 10')
DT-056 (100kgs) (5', 6', 8', 10')
 Finish : F72
 (passed 70,000 cycle test)

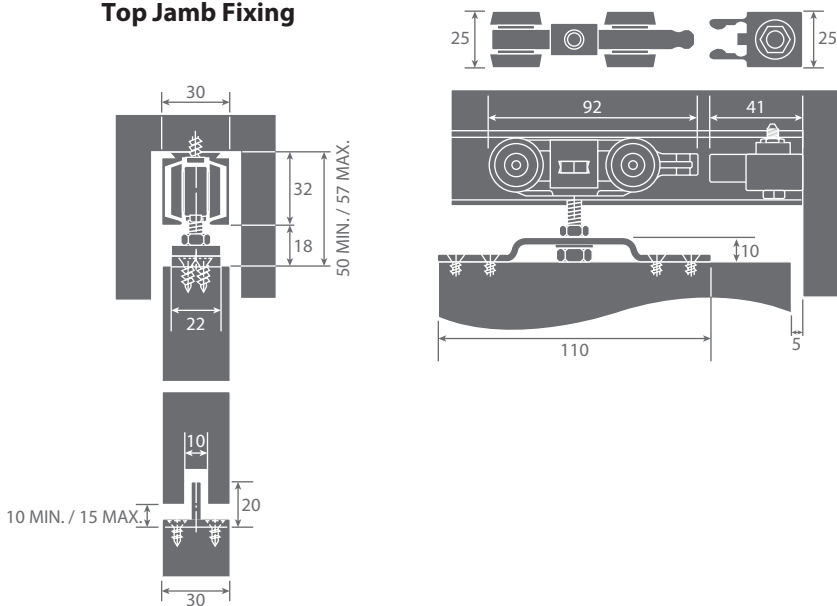


Wall Mount



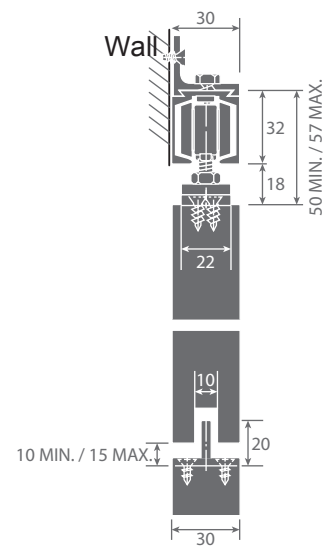
Use at least 3 wall mounts. Distance between wall mounts should be less than 300mm.

Top Jamb Fixing



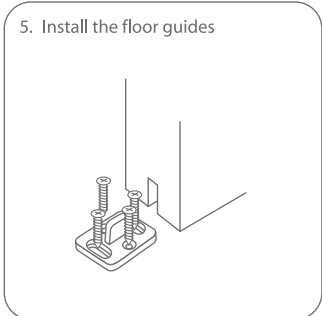
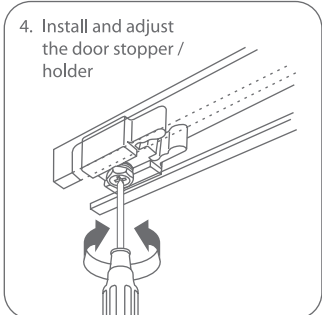
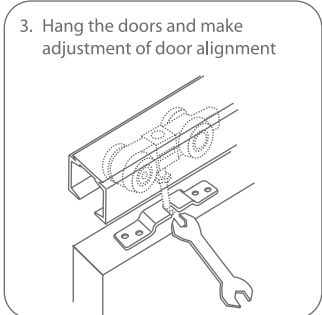
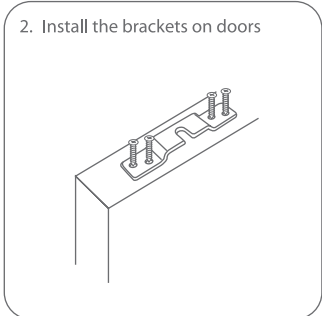
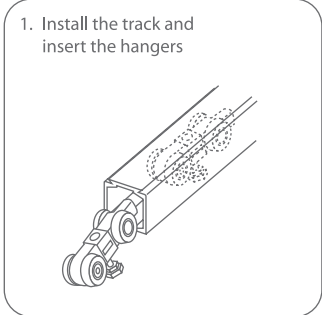
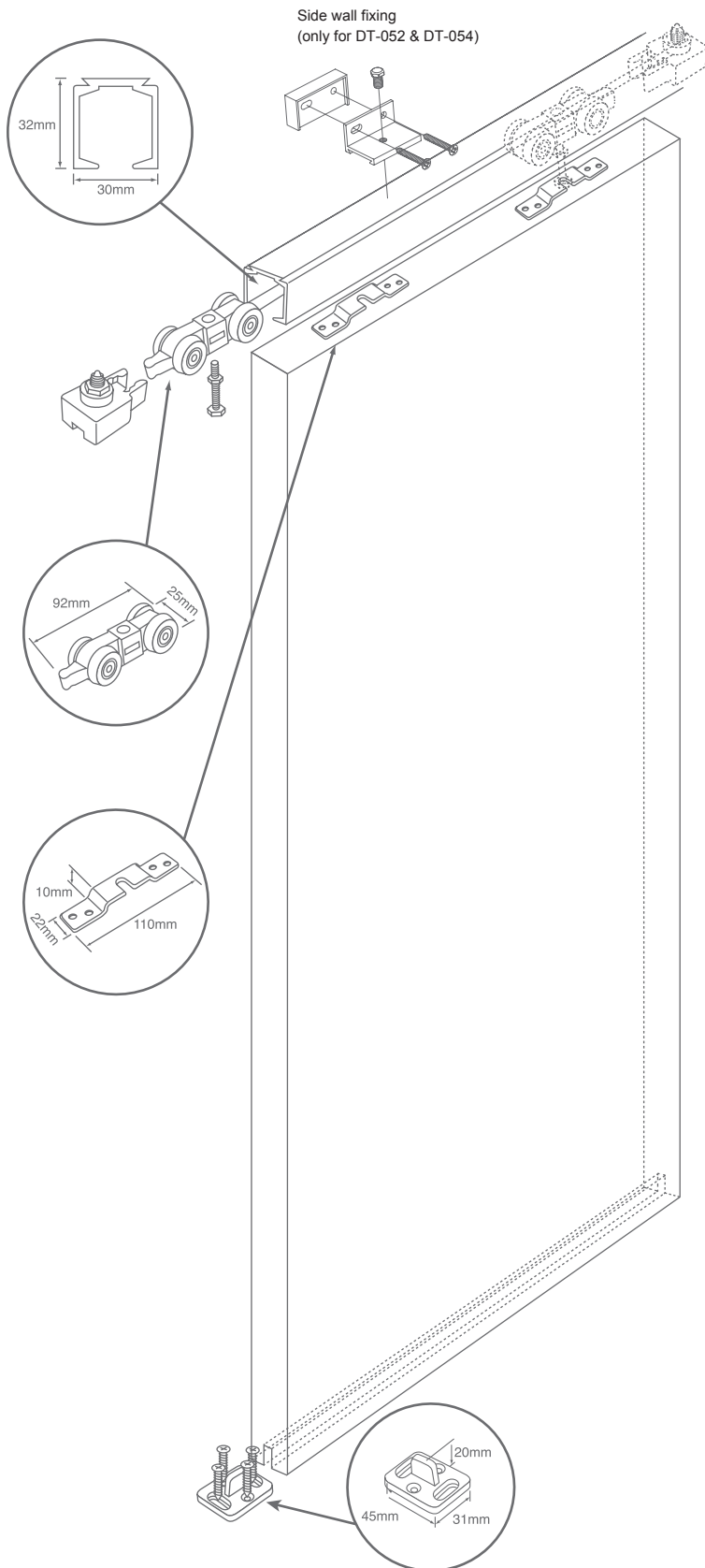
Side Wall Fixing

Only For DT-052 & DT-054



Dimensions in mm

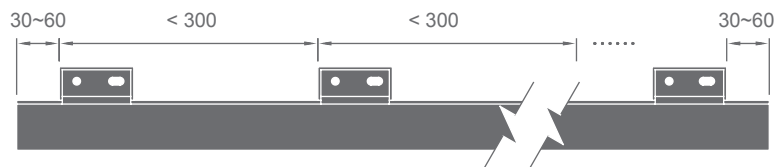
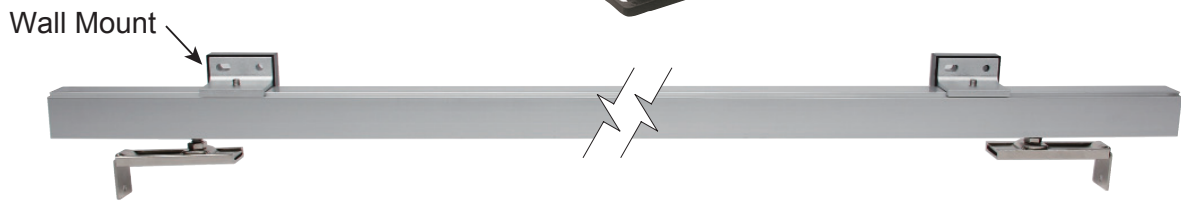
Sliding Door Track Sets Installation



SLIDING DOOR TRACK SETS

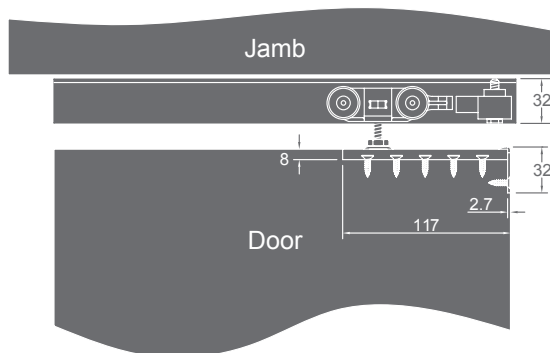
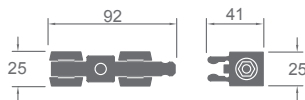
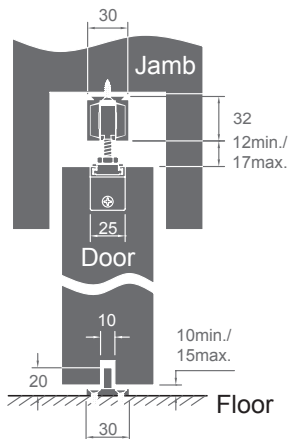
DT-052T (38kgs) (5', 6', 8', 10')
DT-054T (65kgs) (5', 6', 8', 10')
DT-056T (90kgs) (5', 6', 8', 10')

Finish : F72
 (passed 70,000 cycle test)

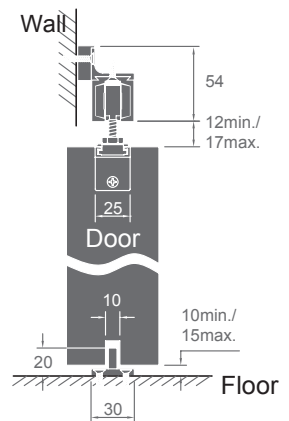


Use at least 3 wall mounts. Distance between wall mounts should be less than 300mm.

Top Jamb Fixing

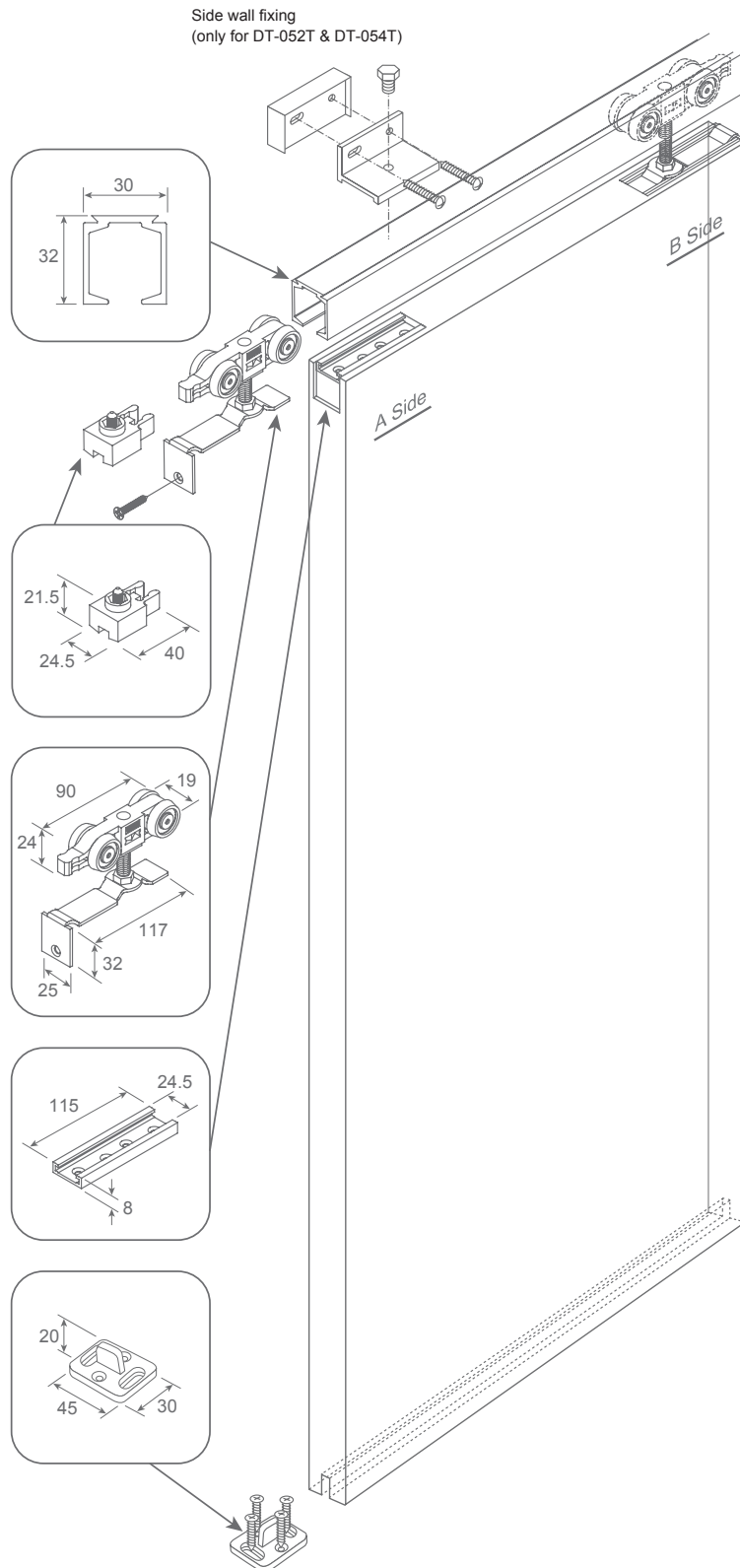


Side Wall Fixing (Only for DT-052T)



Dimensions in mm

Sliding Door Track Sets Installation



For each step, repeat instructions on 'A side' for 'B side'

1. Fix door bracket to the door with screws.

2. Insert hanger rollers into the track. Rotate to adjust height as needed.

3. Slide hanger plates into door bracket and fix with screw.

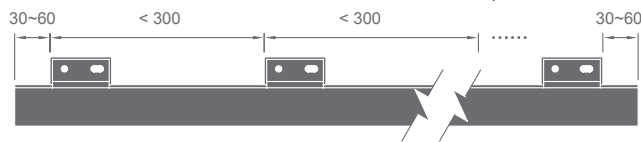
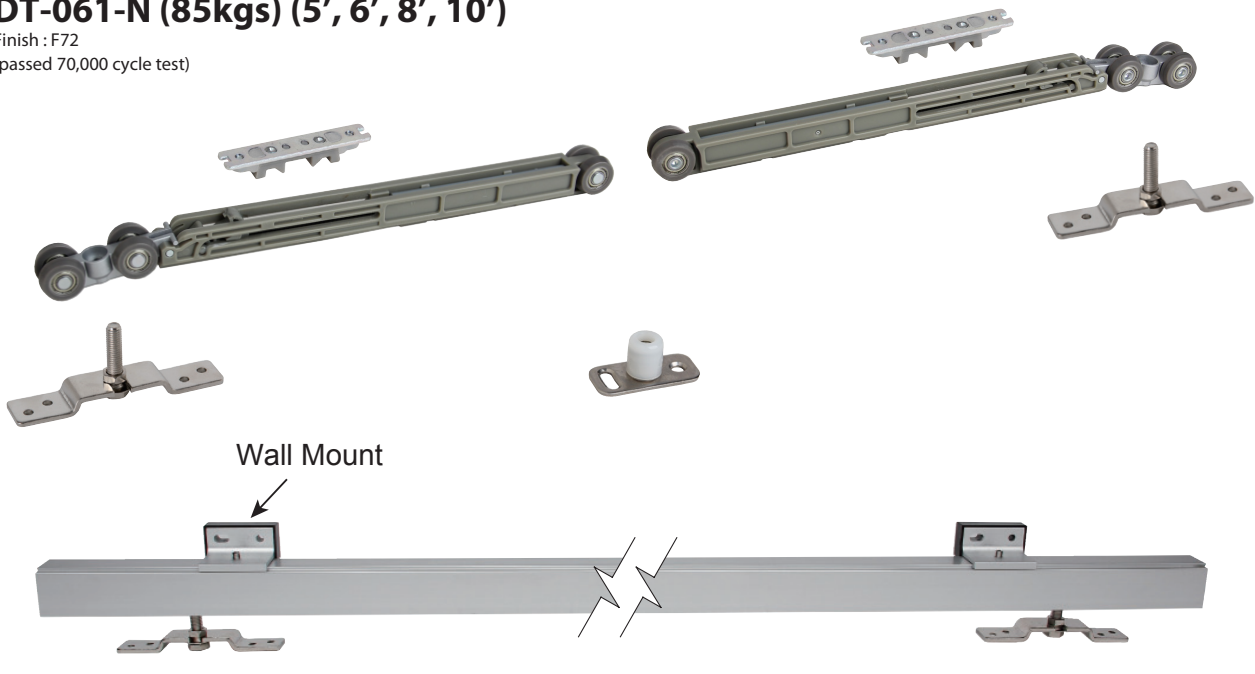
4. Insert door stopper / holder into the track and secure in place with wrench. Adjust tightness of hold as needed with screwdriver.

5. Fix door guide to the floor with screws

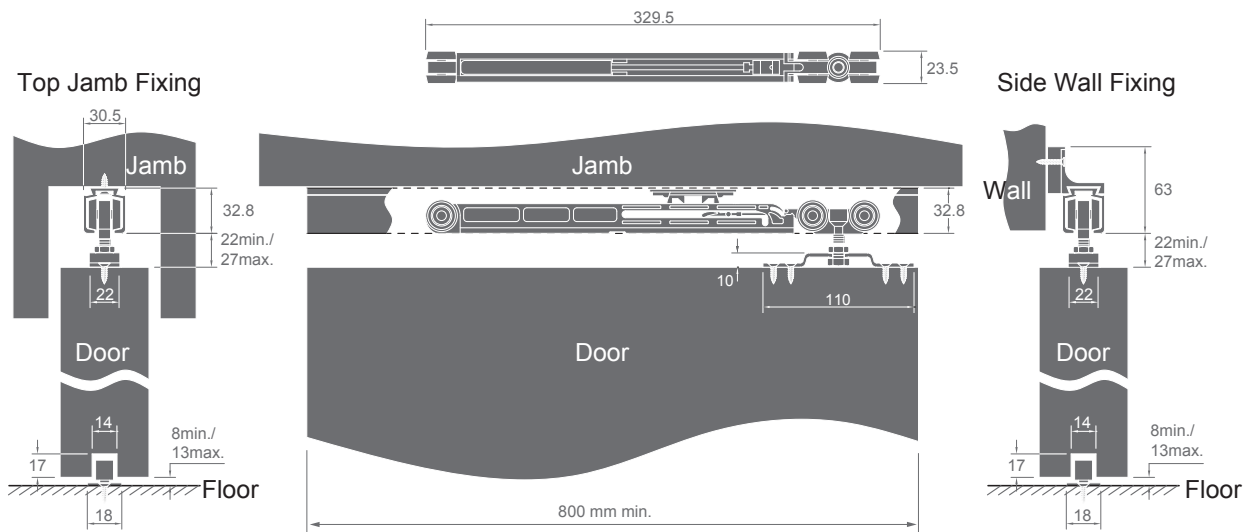
SLIDING DOOR TRACK SETS

DT-061-N (85kgs) (5', 6', 8', 10')

Finish : F72
(passed 70,000 cycle test)

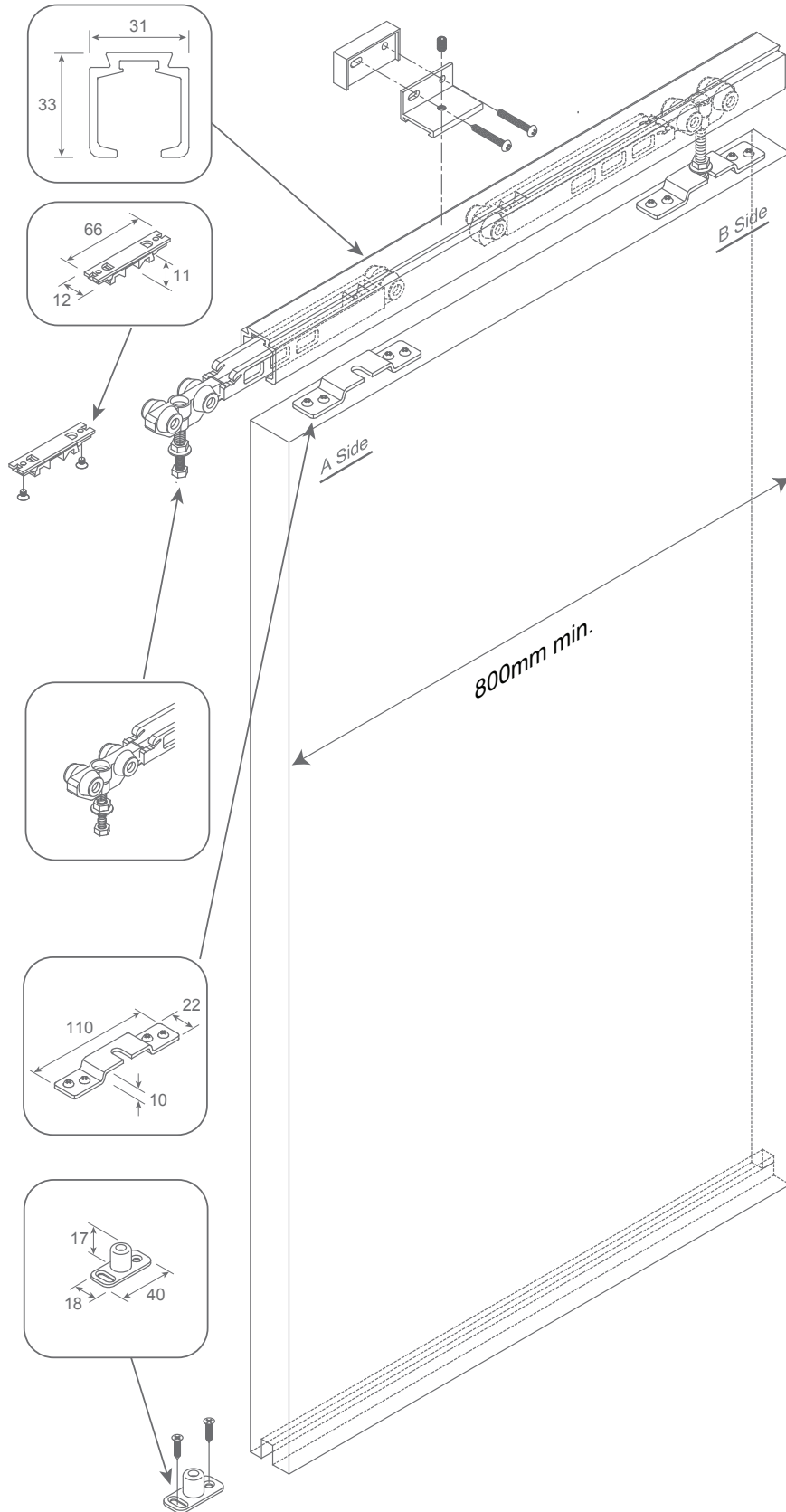


Use at least 3 wall mounts. Distance between wall mounts should be less than 300mm.



Dimensions in mm

Sliding Door Track Sets Installation



For each step, repeat instructions on 'A side' for 'B side'.

1. Fix door bracket to the door with screws.

2. Insert hanger rollers into the track.

3. Slide hanger plates into door bracket and fasten with wrench.

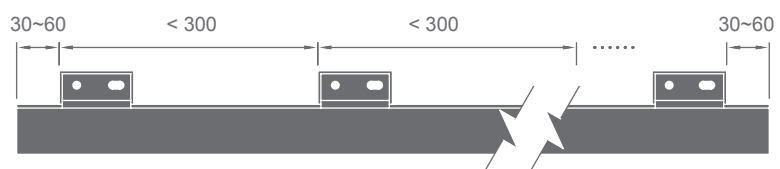
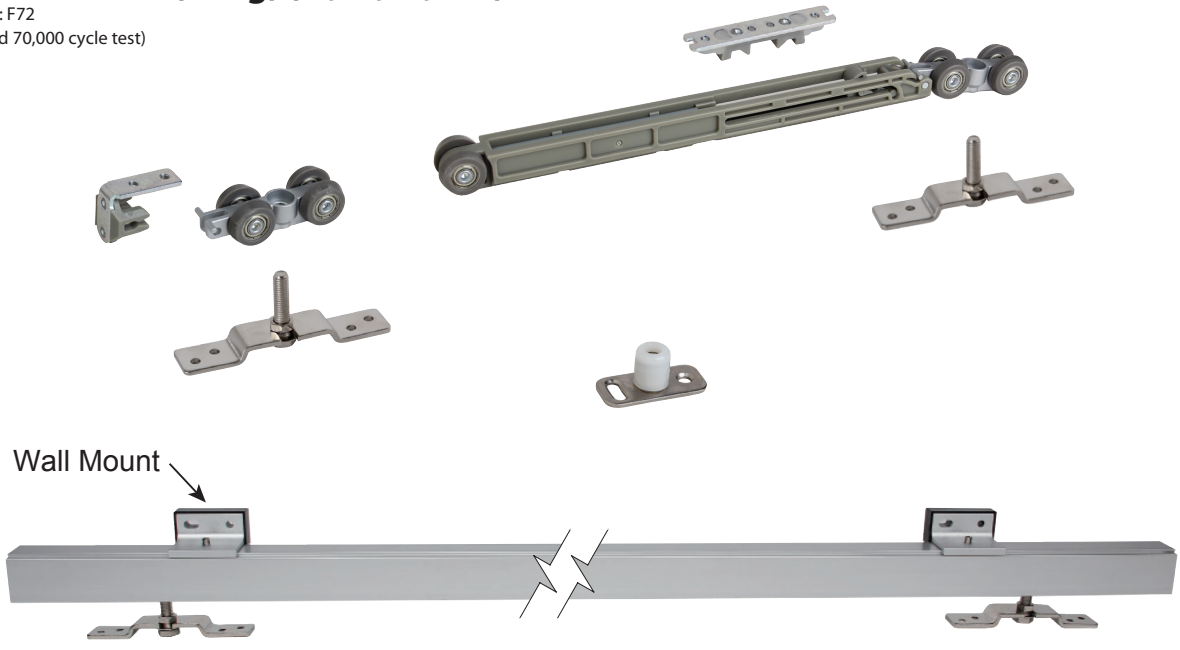
4. Insert door stopper / holder into the track and secure in place with screws.

5. Fix door guide to the floor with screws

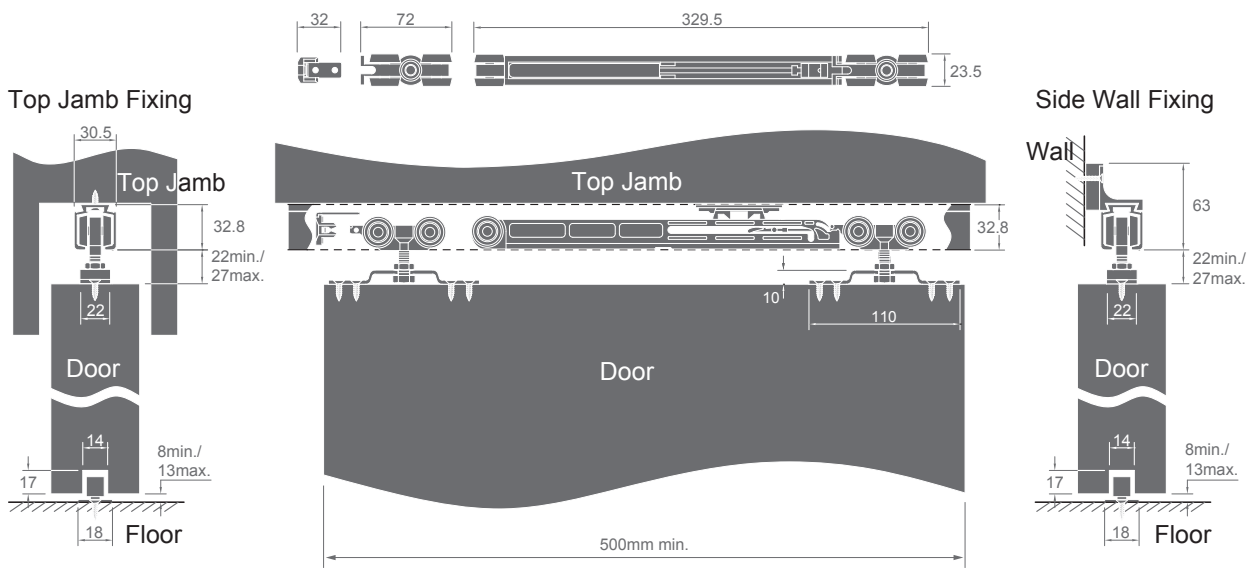
SLIDING DOOR TRACK SETS

DT-061-SH-N (85kg) (5', 6', 8', 10')

Finish : F72
(passed 70,000 cycle test)

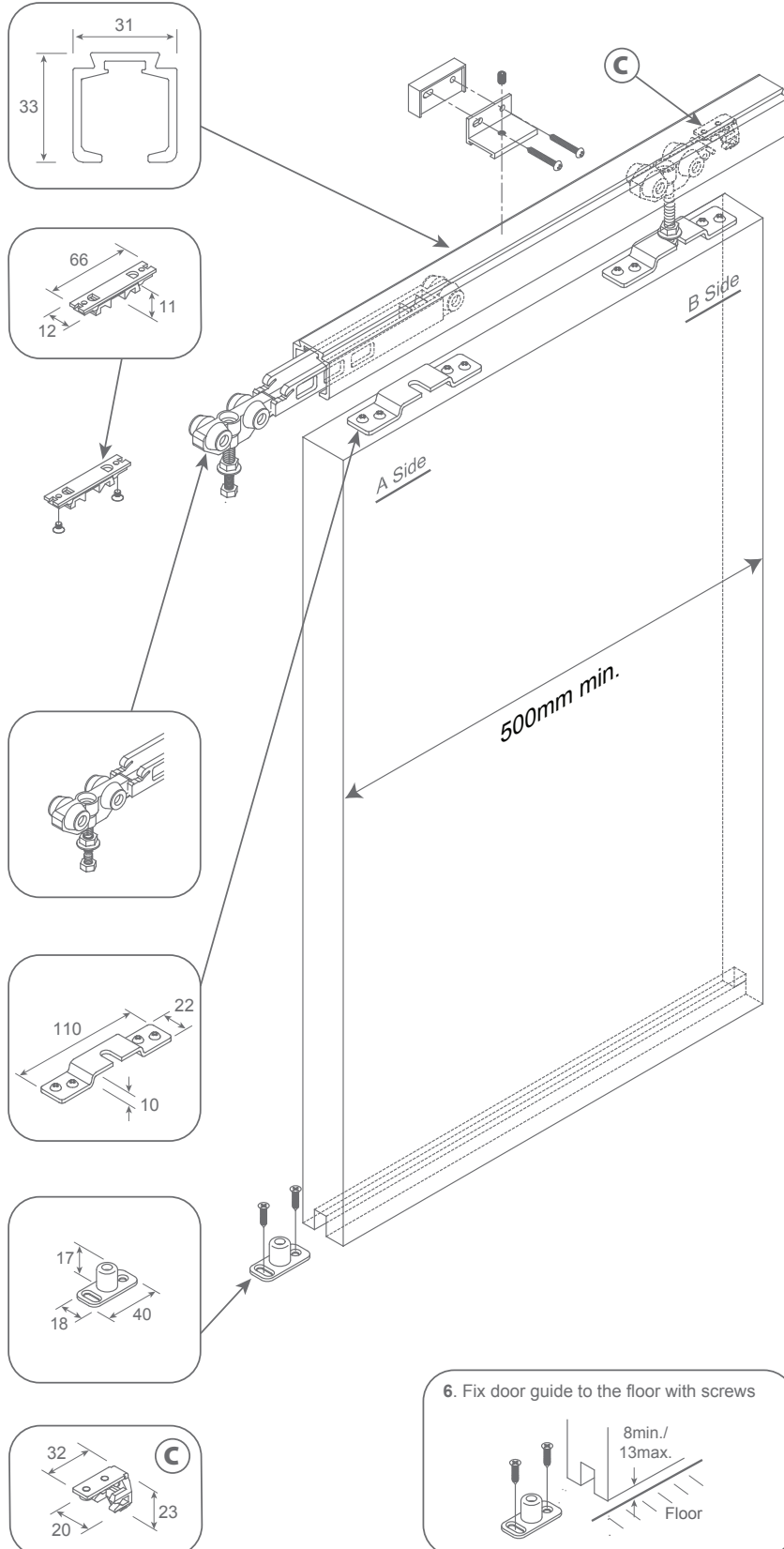


Use at least 3 wall mounts. Distance between wall mounts should be less than 300mm.



Sliding Door Track Sets Installation

For steps 1 to 3, repeat instructions on 'A side' for 'B side'.



1. Fix door bracket to the door with screws.

2. Insert hanger rollers into the track.

3. Slide hanger plates into door bracket and fasten with wrench.

4. Insert door stopper / holder into the track and secure in place with screws.

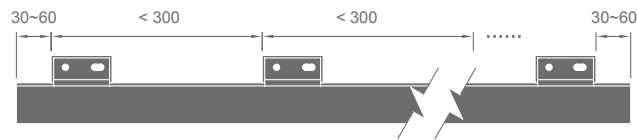
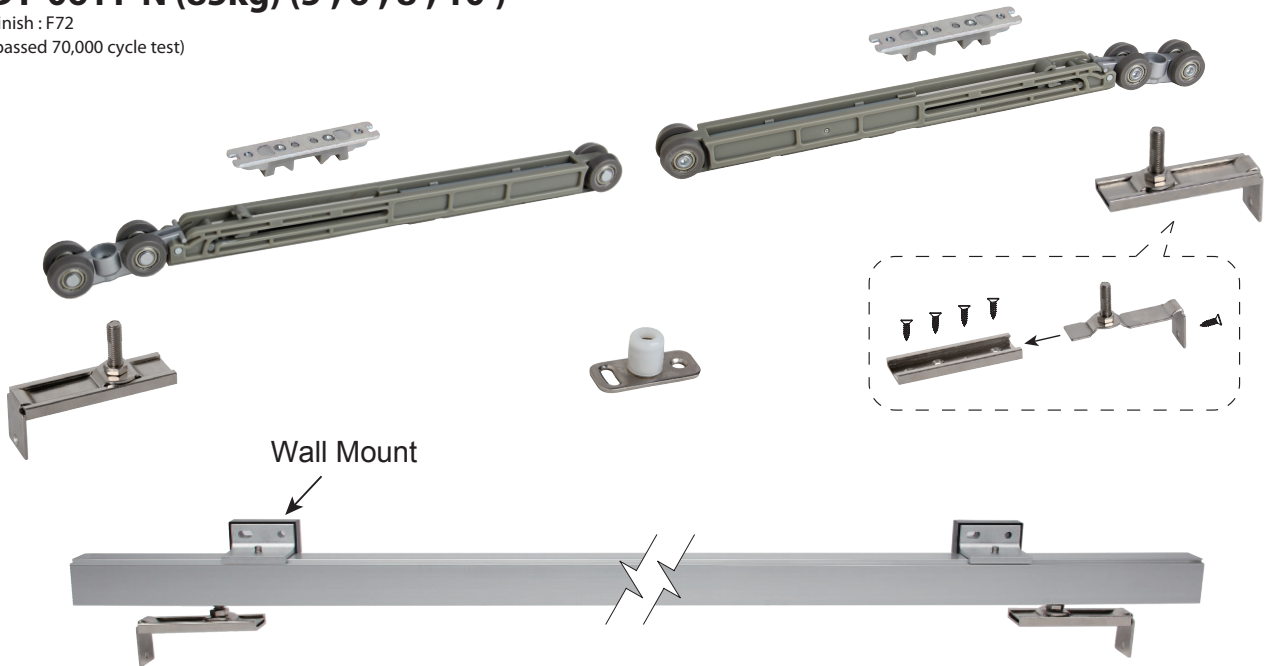
5. Insert door stopper / holder into the track and secure in place with screws.

6. Fix door guide to the floor with screws

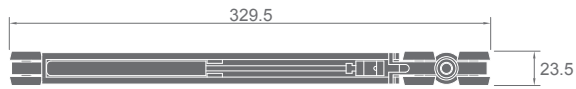
SLIDING DOOR TRACK SETS

DT-061T-N (85kg) (5', 6', 8', 10')

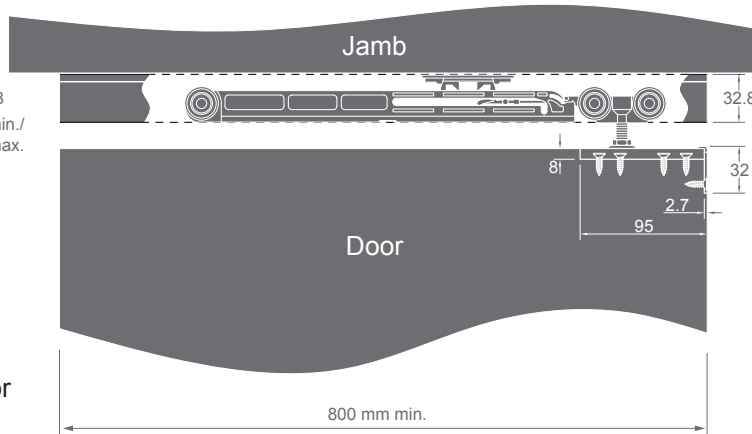
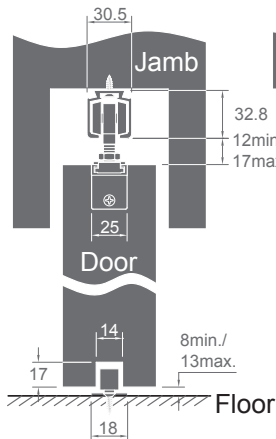
Finish : F72
(passed 70,000 cycle test)



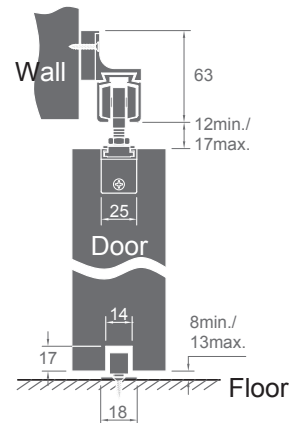
Use at least 3 wall mounts. Distance between wall mounts should be less than 300mm.



Top Jamb Fixing

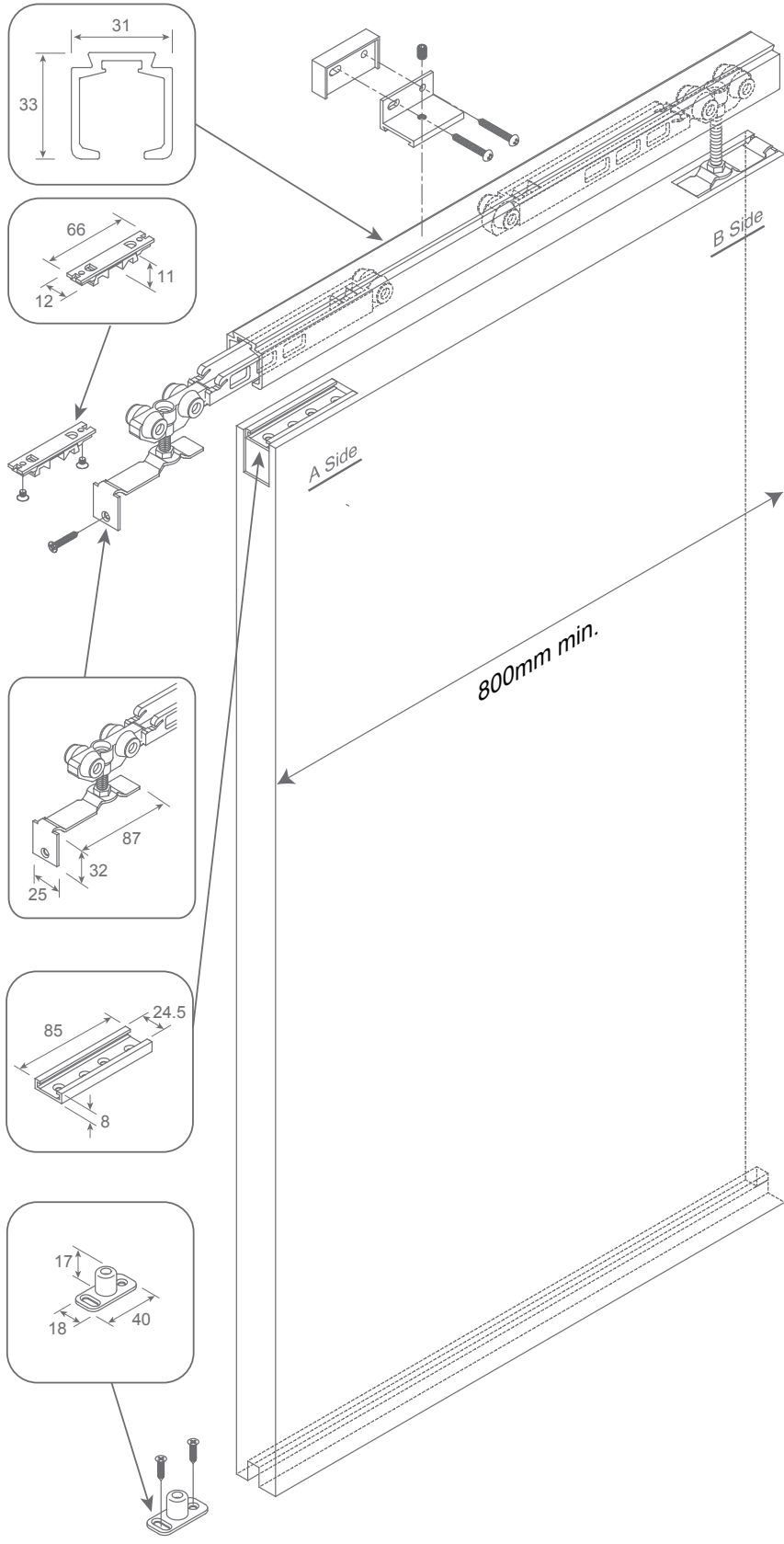


Side Wall Fixing



Dimensions in mm

Sliding Door Track Sets Installation



For each step, repeat instructions on 'A side' for 'B side'.

1. Fix door bracket to the door with screws.

2. Insert hanger rollers into the track. Rotate to adjust height as needed.

3. Slide hanger plates into door bracket and fix with screw.

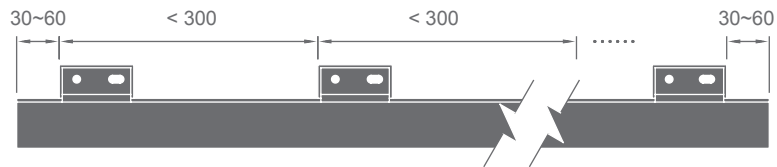
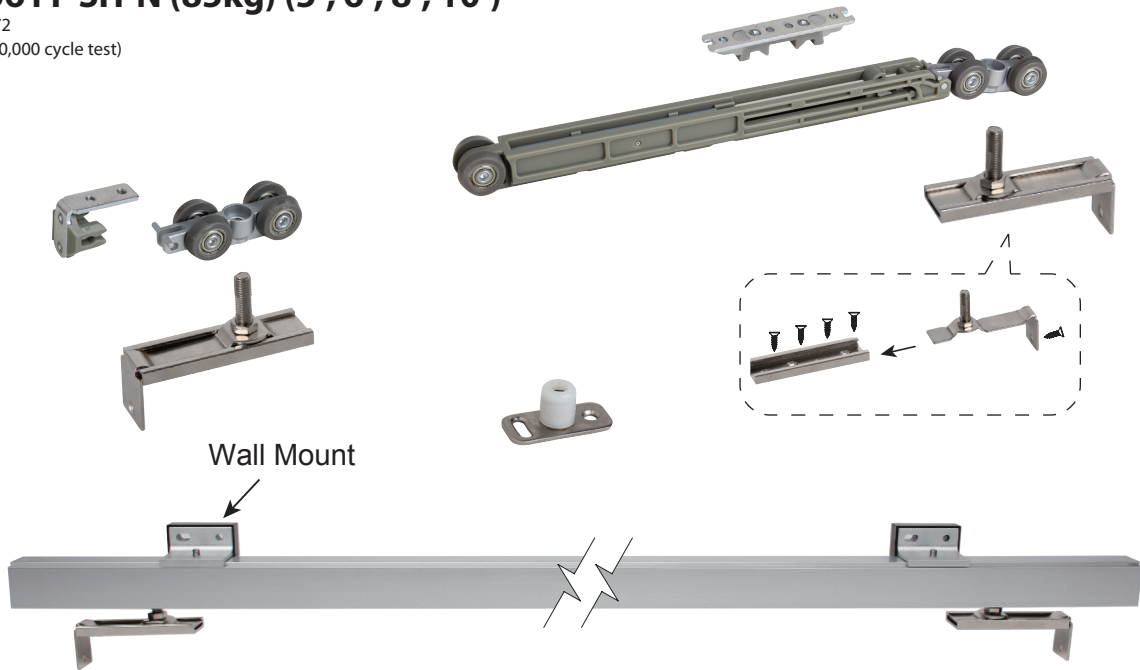
4. Insert door stopper / holder into the track and secure in place with screws.

5. Fix door guide to the floor with screws

SLIDING DOOR TRACK SETS

DT-061T-SH-N (85kg) (5', 6', 8', 10')

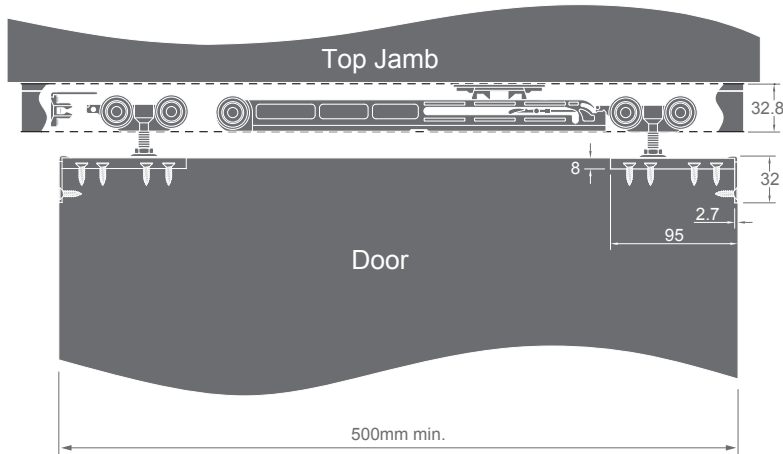
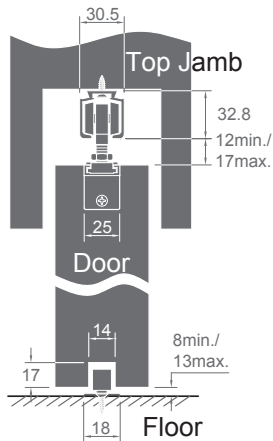
Finish : F72
(passed 70,000 cycle test)



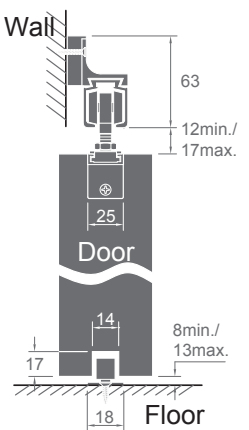
Use at least 3 wall mounts. Distance between wall mounts should be less than 300mm.



Top Jamb Fixing

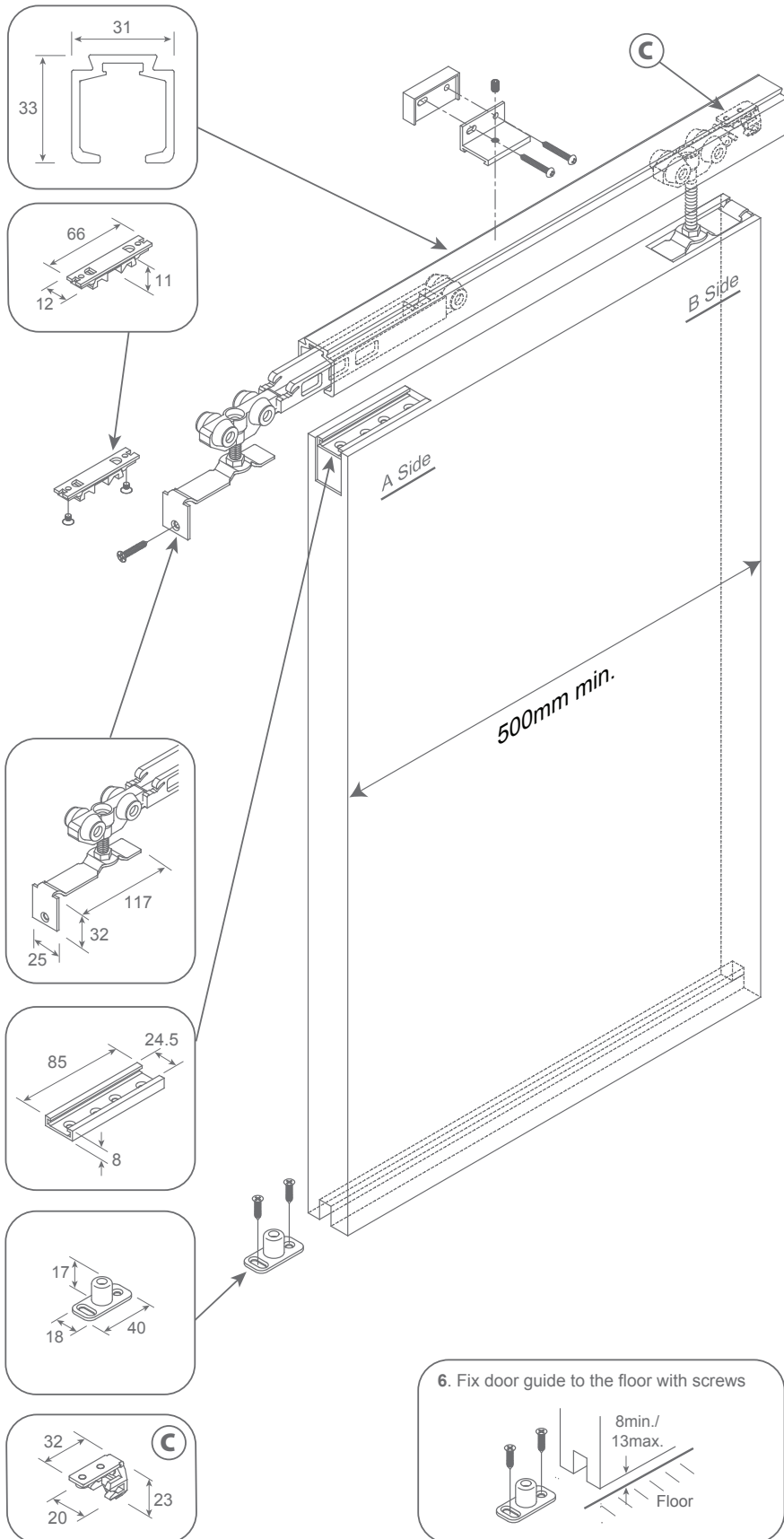


Side Wall Fixing



Dimensions in mm

Sliding Door Track Sets Installation



For steps 1 to 3, repeat instructions on 'A side' for 'B side'.

1. Fix door bracket to the door with screws.

2. Insert hanger rollers into the track. Rotate to adjust height as needed.

3. Slide hanger plates into door bracket and fix with screw.

4. Insert door stopper / holder into the track and secure in place with screws.

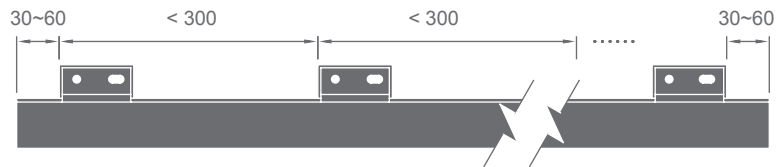
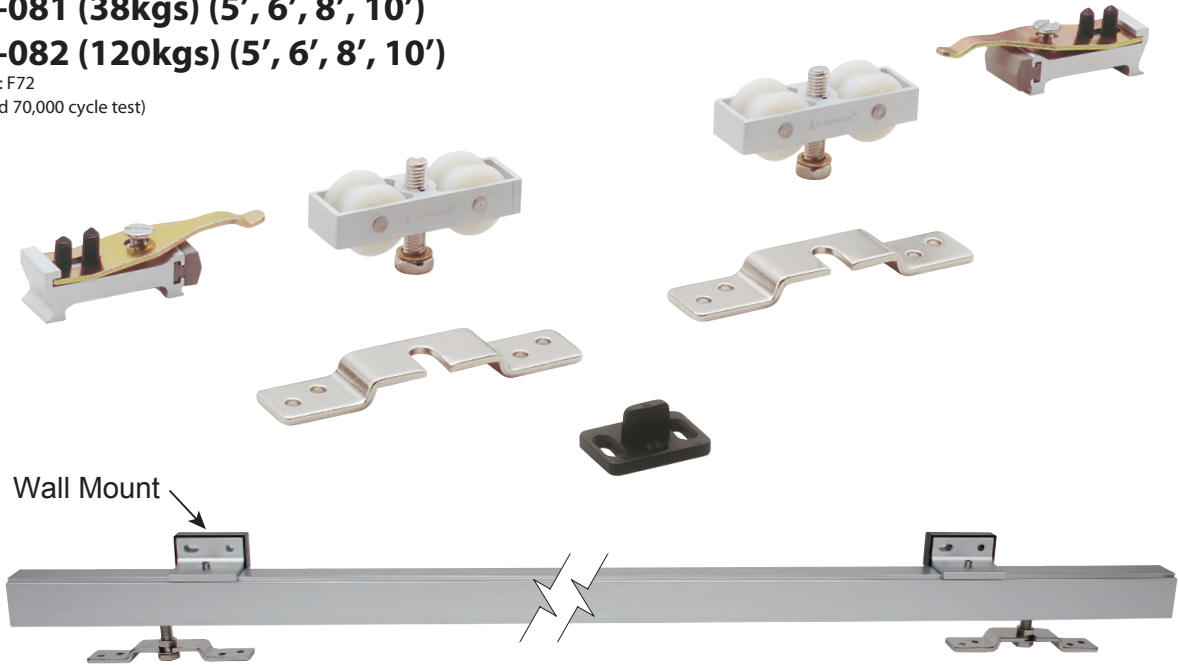
5. Insert door stopper / holder into the track and secure in place with screws.

6. Fix door guide to the floor with screws

SLIDING DOOR TRACK SETS

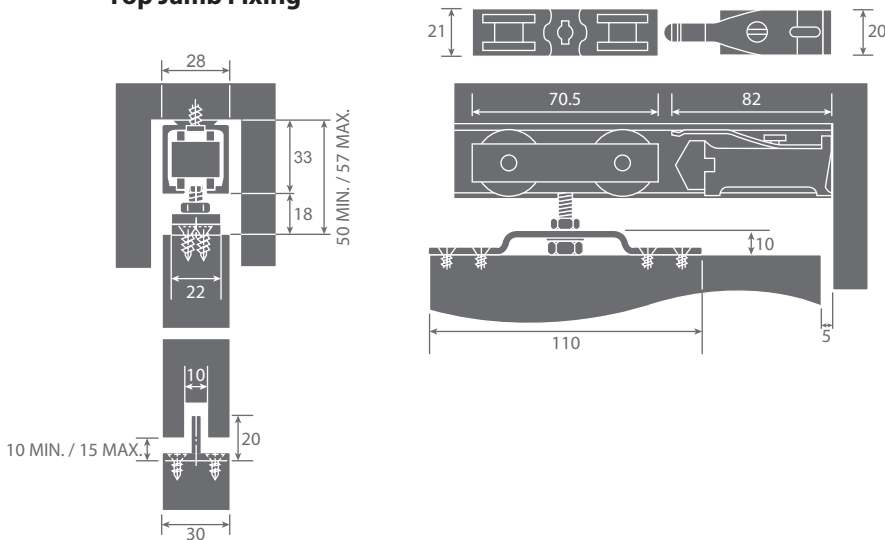
DT-081 (38kgs) (5', 6', 8', 10')
DT-082 (120kgs) (5', 6', 8', 10')

Finish : F72
 (passed 70,000 cycle test)

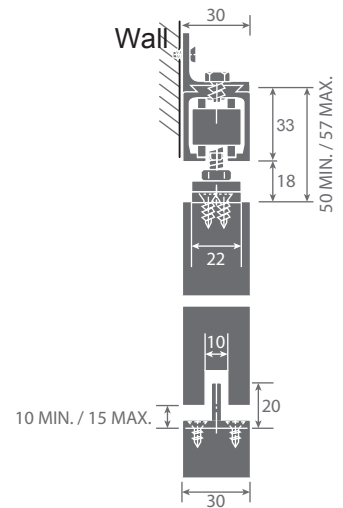


Use at least 3 wall mounts. Distance between wall mounts should be less than 300mm.

Top Jamb Fixing

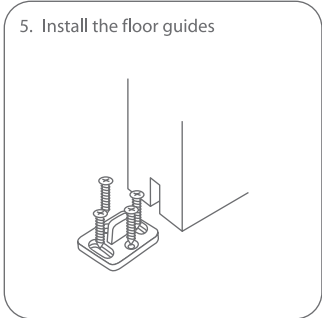
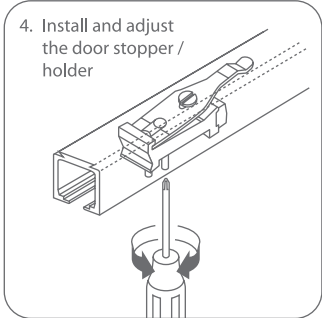
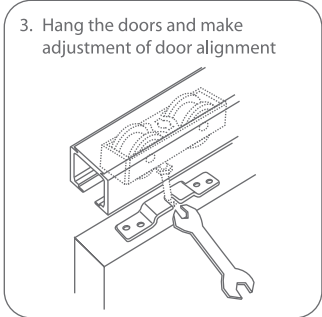
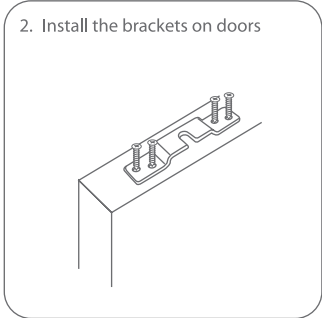
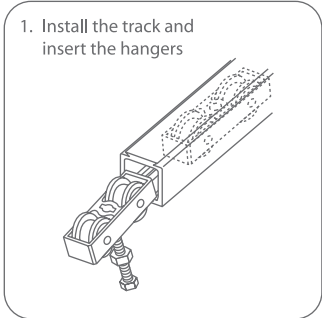
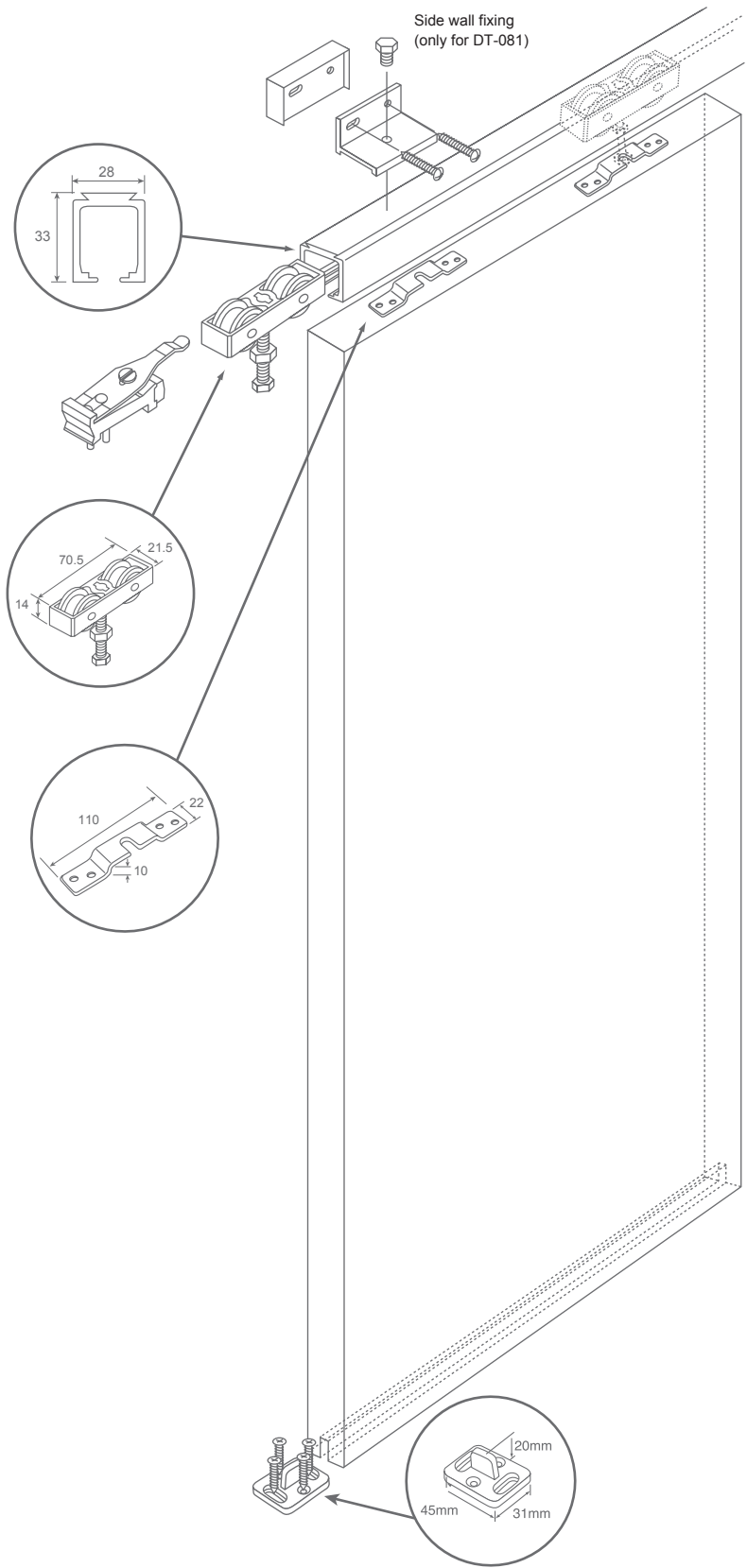


**Side Wall Fixing
 Only For DT-081**



Dimensions in mm

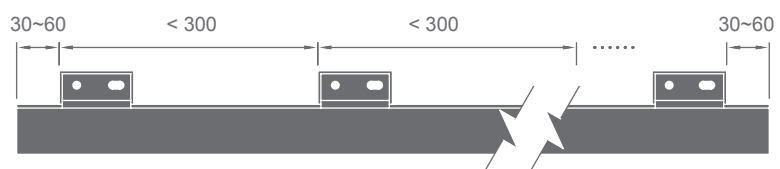
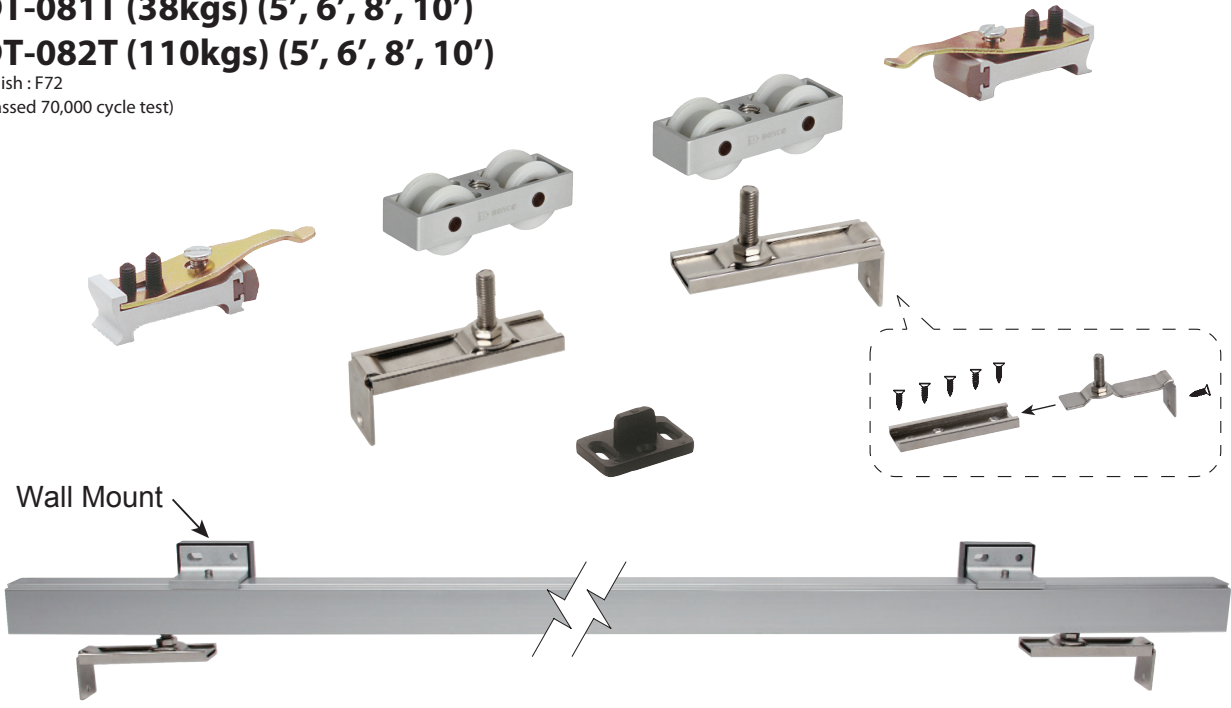
Sliding Door Track Sets Installation



SLIDING DOOR TRACK SETS

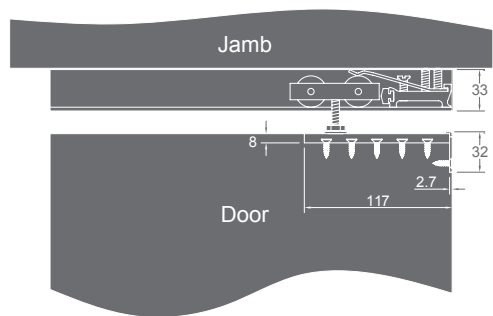
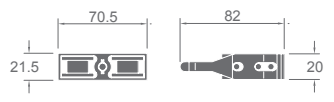
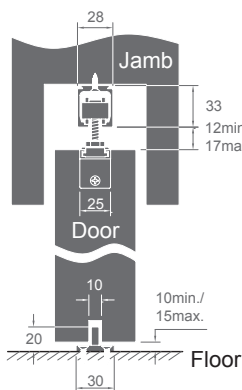
DT-081T (38kgs) (5', 6', 8', 10')
DT-082T (110kgs) (5', 6', 8', 10')

Finish : F72
 (passed 70,000 cycle test)

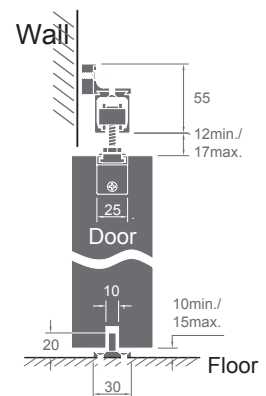


Use at least 3 wall mounts. Distance between wall mounts should be less than 300mm.

Top Jamb Fixing

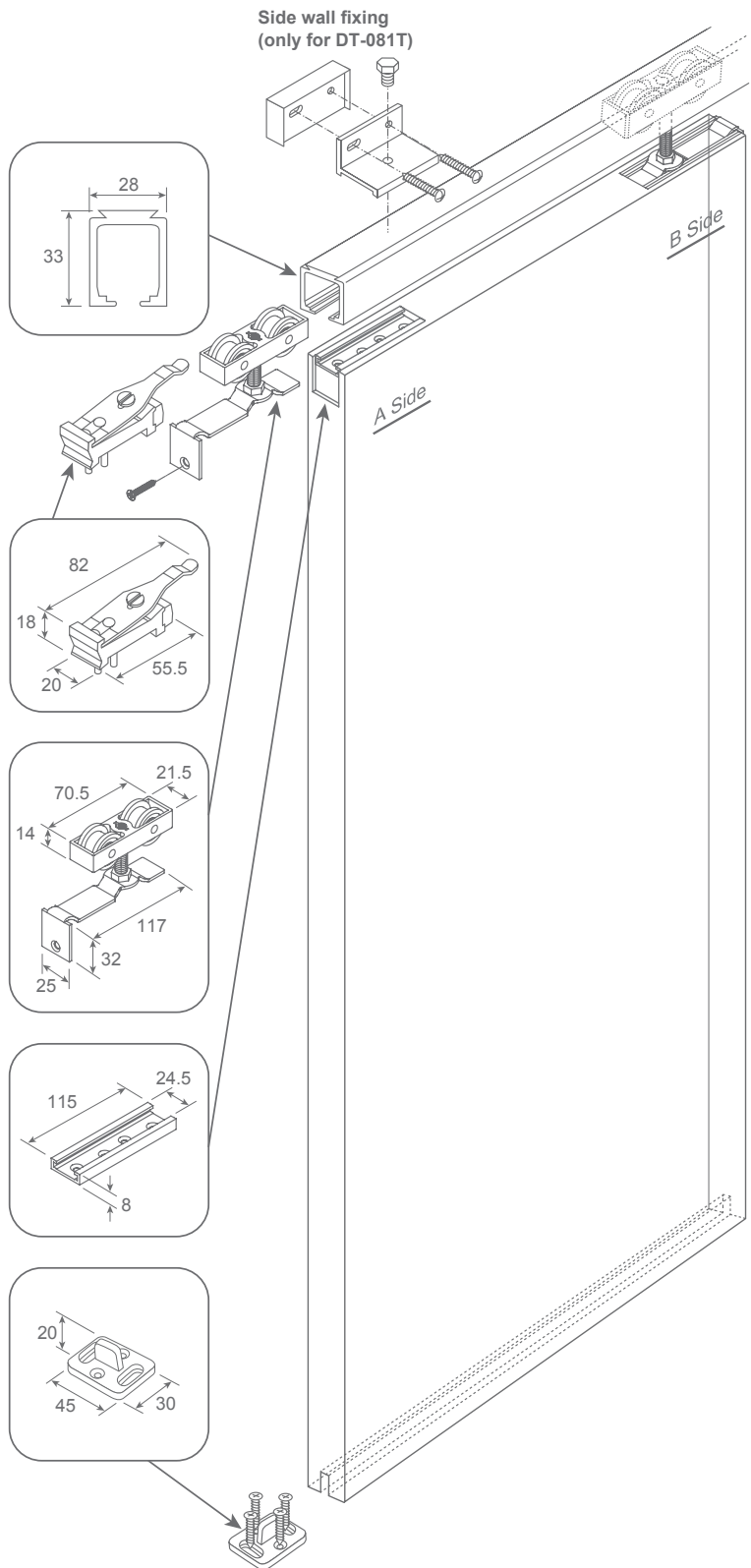


**Side Wall Fixing
 Only For DT-081T**



Dimensions in mm

Sliding Door Track Sets Installation



For each step, repeat instructions on 'A side' for 'B side'.

1. Fix door bracket to the door with screws.

A Side

2. Insert hanger rollers into the track. Rotate to adjust height as needed.

12min./17max.

Lengthen
Shorten

A Side

3. Slide hanger plates into door bracket and fix with screw.

A Side

4. Insert door stopper / holder into the track and secure in place with wrench. Adjust tightness of hold as needed with screwdriver.

Door Stoper

Loosen
Tighten

A Side

5. Fix door guide to the floor with screws.

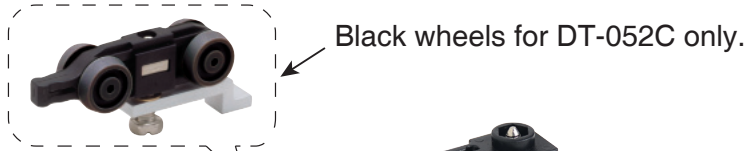
10min./15max.

Floor

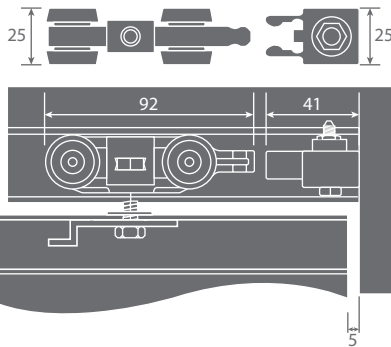
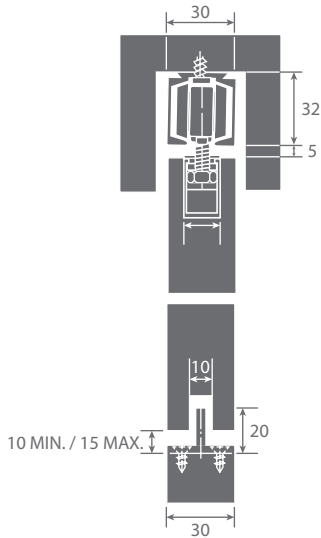
CONCEALED TYPE SLIDING DOOR TRACK SETS

DT-052C (38kgs) (5', 6', 8', 10')
DT-054C (65kgs) (5', 6', 8', 10')

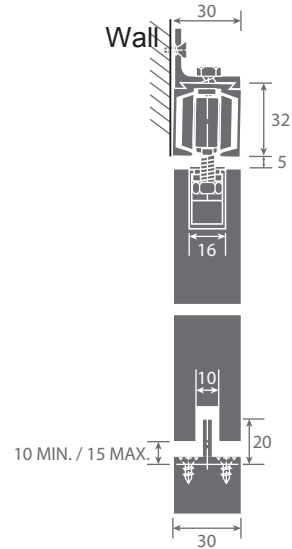
Finish : F72
 (passed 70,000 cycle test)



Top Jamb Fixing

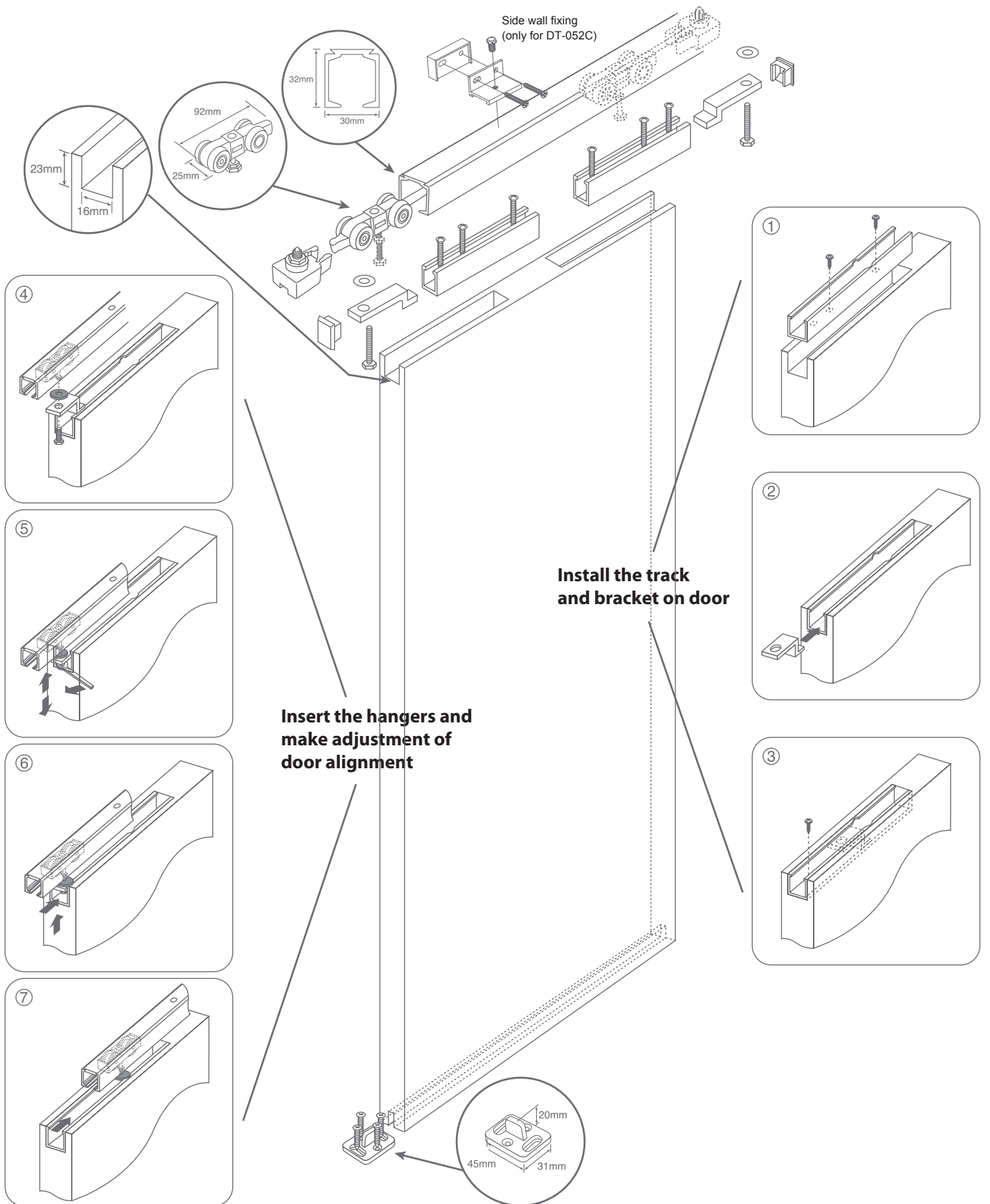


**Side Wall Fixing
 Only For DT-052C**



Dimensions in mm

Concealed Type Sliding Door Track Sets Installation



CONCEALED TYPE SLIDING DOOR TRACK SETS

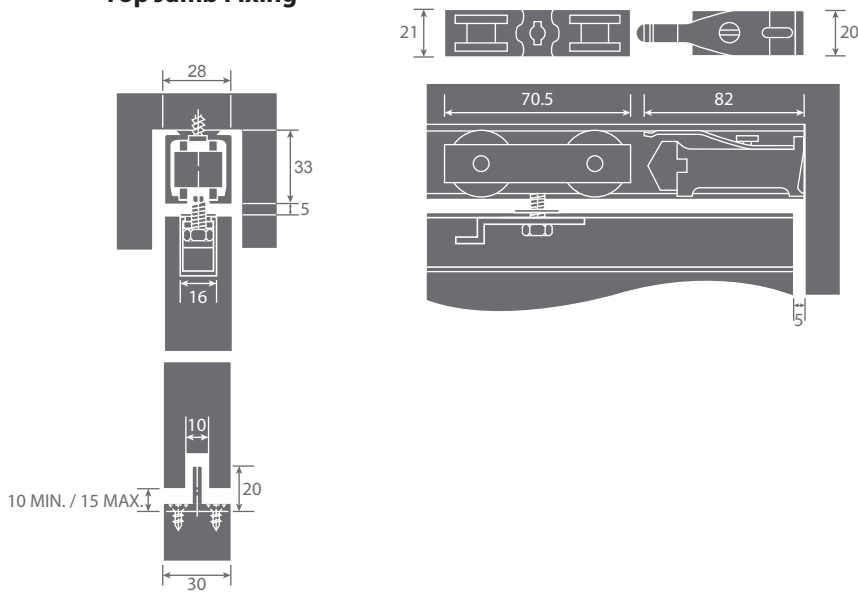
DT-081C (38kgs) (5', 6', 8', 10')

DT-082C (65kgs) (5', 6', 8', 10')

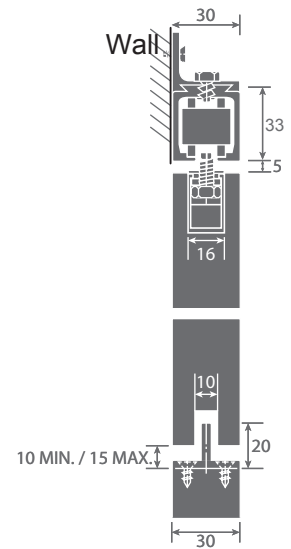
Finish : F72
(passed 70,000 cycle test)



Top Jamb Fixing

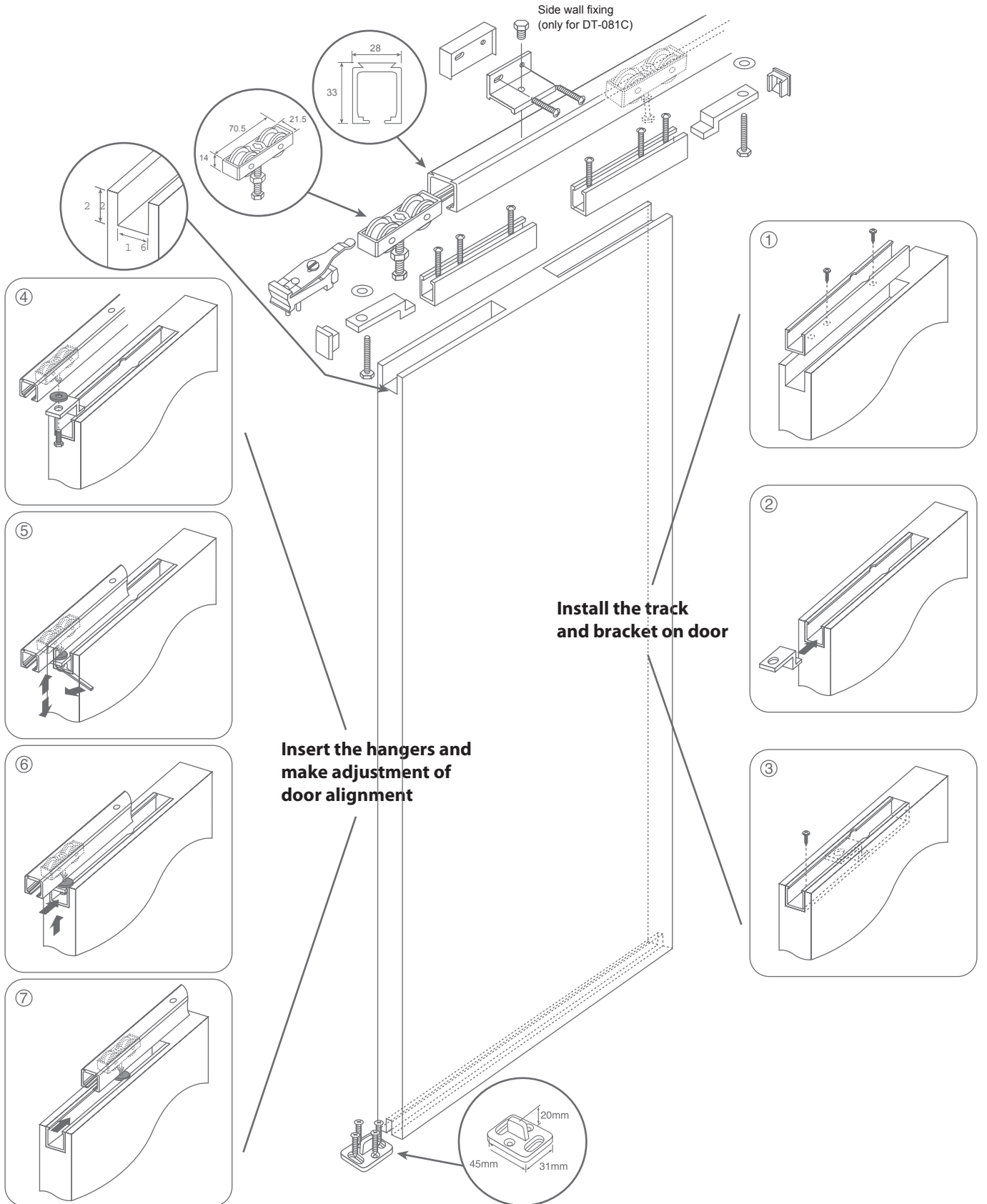


**Side Wall Fixing
Only For DT-081C**



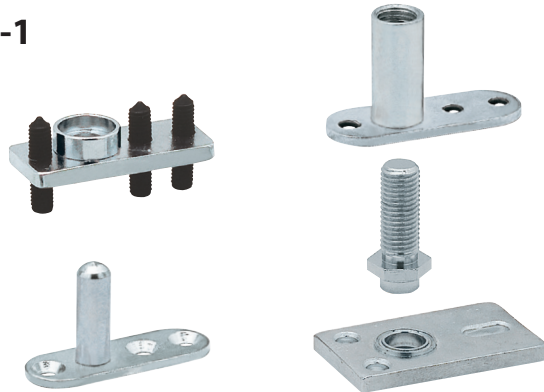
Dimensions in mm

Concealed Type Sliding Door Track Sets Installation



**FOLDING
TYPE SLIDING
DOOR TRACK
SETS**

DT-081FD-1



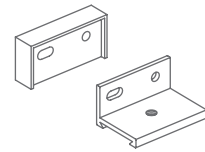
DT-081FD-2



DT-081FD-3



DT-081FD-4



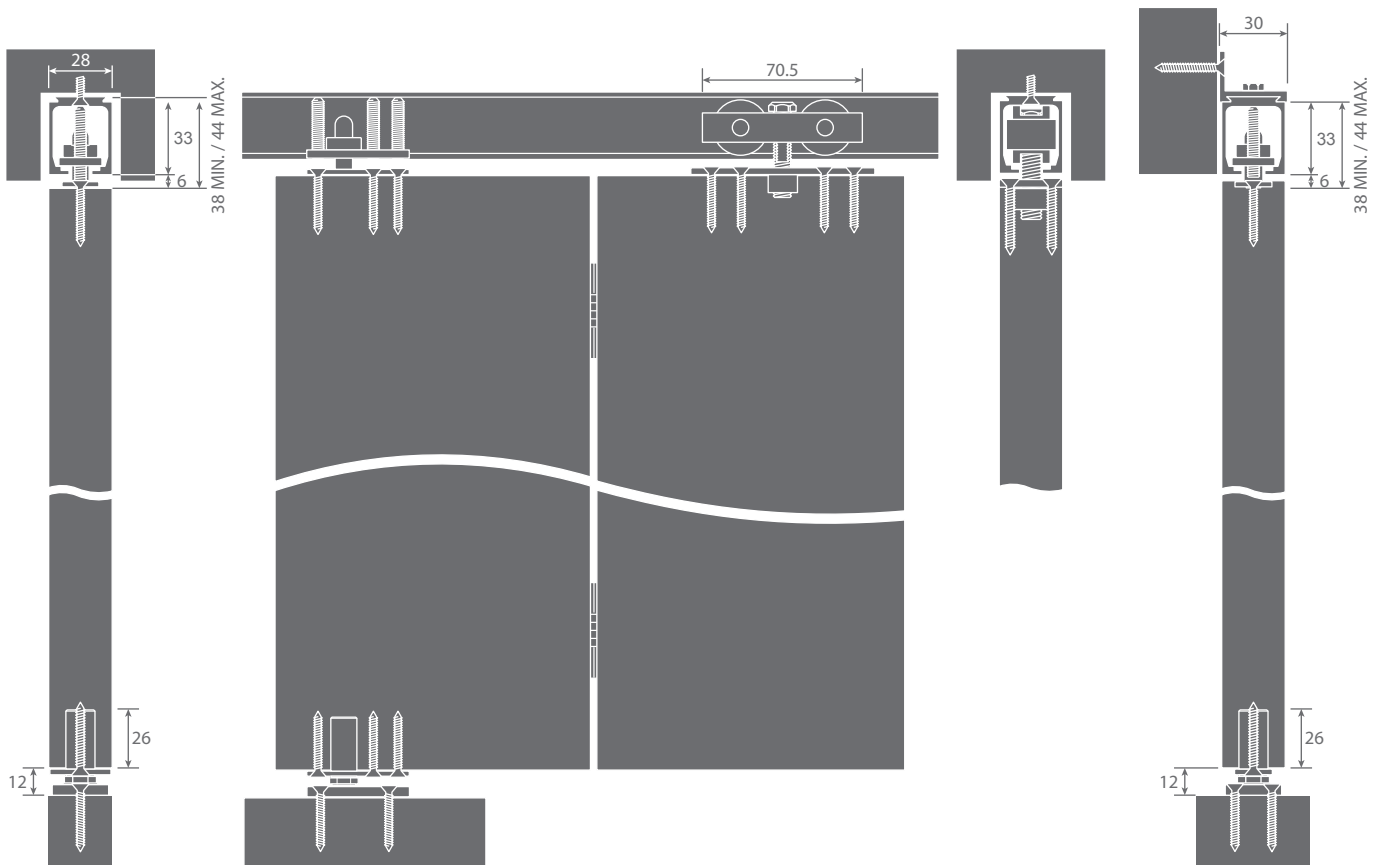
DT-081FD (38kgs) (5', 6', 8', 10')

Folding Type Sliding Door Track Set
Finish : F72
(passed 70,000 cycle test)



FOLDING TYPE SLIDING DOOR TRACK SETS

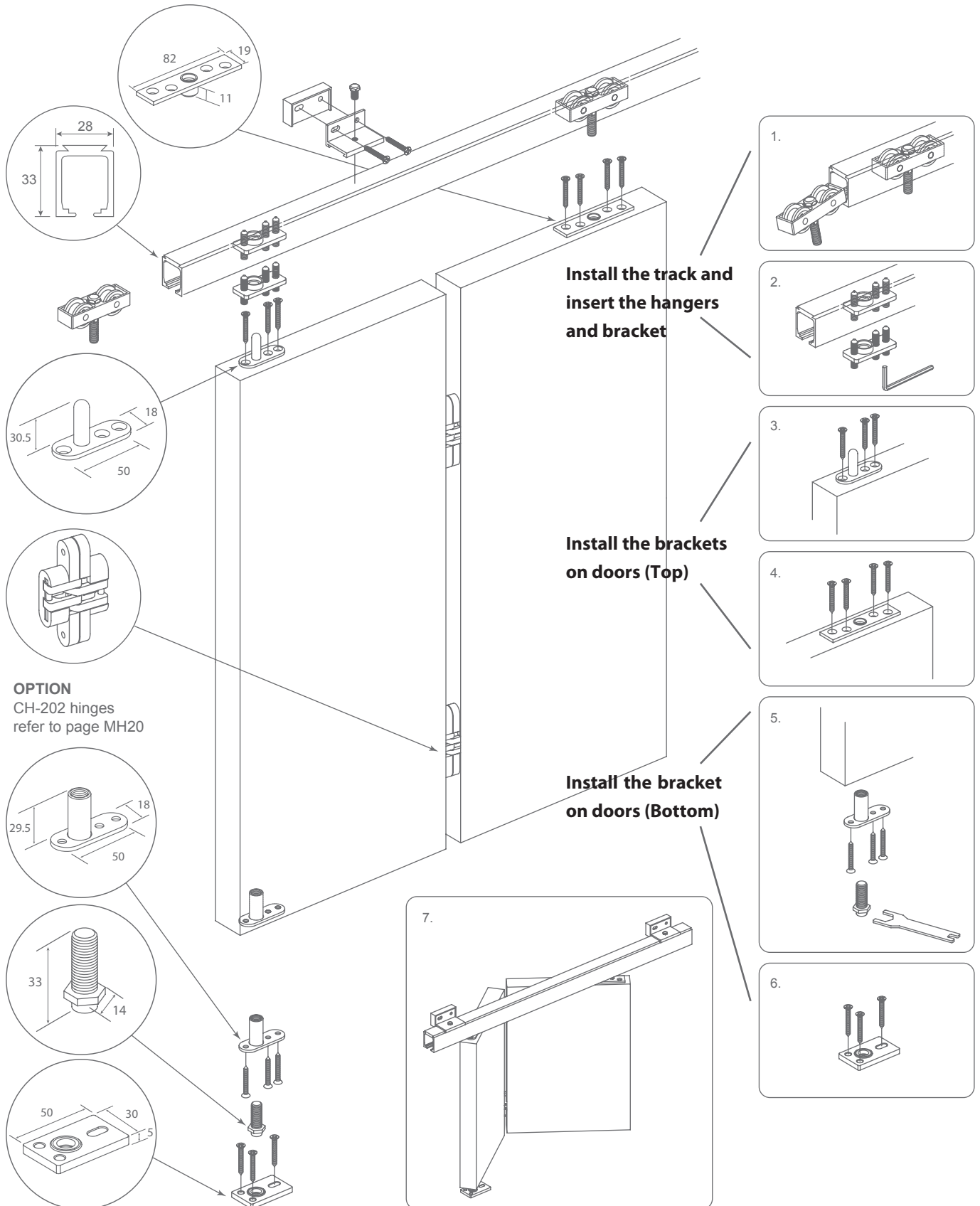
Dimensions
in millimeters







Top Jamb Fixing

Side Wall Fixing



Folding Type Sliding Door Track Sets Installation







Electroplate Finishes List

BONCO	Description	BONCO	Description
	F21 Bright chrome		F22 Satin nickel
	F31 Antique brass		F32 Antique copper

SUS Finishes List

BONCO	Description	BONCO	Description
	F24 Satin stainless steel		F25 Polished stainless steel

BPC Finishes List

BONCO	Description	BONCO	Description
	F91 Matt black powder coating		F91T Matt black powder coating with rough surface
	F93 Matt white powder coating		F93T Matt white powder coating with rough surface

BONCO	Description	BONCO	Description
	F94T Matt light grey powder coating with rough surface		F96T Matt dark grey powder coating with rough surface
	F97 Matt brown powder coating		F97T Matt brown powder coating with rough surface
	F99 Matt champagne silver powder coating		F100 Matt silver grey powder coating
	F100T Matt silver grey powder coating with rough surface		F101 Matt champagne gold powder coating
	F102 Matt antique brass gold powder coating		F102T Matt antique brass gold powder coating with rough surface
	F104T Matt light green powder coating with rough surface		F105T Matt dark green powder coating with rough surface
	F106T Matt light blue powder coating with rough surface		F107T Matt dark blue powder coating with rough surface
	F108T Matt rose gold powder coating with rough surface		

PVD Finishes List

BONCO	Description	BONCO	Description
	F16 Polished brass		F17 Brushed brass
	F301 Polished bronze		F302 Brushed bronze
	F303 Brushed chrome		F304 Red gold
	F305 Brushed red gold		F306 Polished black chrome
	F307 Brushed black chrome		F308 Steel optic
	F310 Polished nickel		F311 Gold optic
	F316 Brushed nickel		



Name of quality & dependability

www.boncohardware.com

BONCO Ironmongery Ltd.
A Member of E. Bon Holdings (HKEx stock code 599)

16/F, First Commercial Building, 33 Leighton Rd., Causeway Bay, H.K.
Tel : (852) 2891 2188 Fax : (852) 2834 2652

